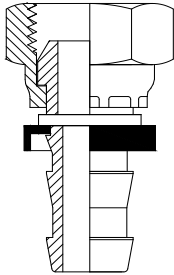


PUSH-ON HOSE FITTINGS

I1B

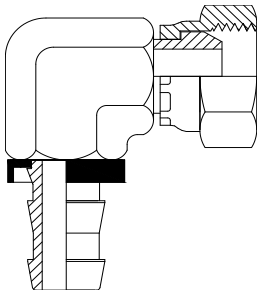
BSPP FEMALE PUSH-ON



Item No	A-BSPP	B-Hose
I1B-0204	-02 1/8-28	-04 1/4
I1B-0205	-02 1/8-28	-05 5/16
I1B-0404	-04 1/4-19	-04 1/4
I1B-0405	-04 1/4-19	-05 5/16
I1B-0406	-04 1/4-19	-06 3/8
I1B-0604	-06 3/8-19	-04 1/4
I1B-0605	-06 3/8-19	-05 5/16
I1B-0606	-06 3/8-19	-06 3/8
I1B-0608	-06 3/8-19	-08 1/2
I1B-0806	-08 1/2-14	-06 3/8
I1B-0808	-08 1/2-14	-08 1/2
I1B-0810	-08 1/2-14	-10 5/8
I1B-1212	-12 3/4-14	-12 3/4
I1B-1616	-16 1-11	-16 1

I1B9C

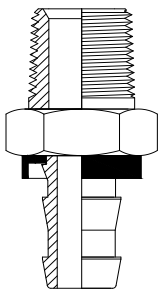
BSPP FEMALE 90° COMPACT PUSH-ON



Item No	A-BSPP	B-Hose
I1B9C-0404	-04 1/4-19	-04 1/4
I1B9C-0405	-04 1/4-19	-05 5/16
I1B9C-0606	-06 3/8-19	-06 3/8
I1B9C-0808	-08 1/2-14	-08 1/2
I1B9C-1212	-12 3/4-14	-12 3/4

I1T

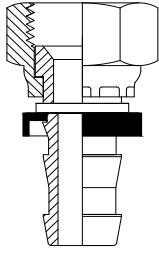
BSPT MALE PUSH-ON



Item No	A-BSPT	B-Hose
I1T-0204	-02 1/8-28	-04 1/4
I1T-0205	-02 1/8-28	-05 5/16
I1T-0404	-04 1/4-19	-04 1/4
I1T-0405	-04 1/4-19	-05 5/16
I1T-0406	-04 1/4-19	-06 3/8
I1T-0604	-06 3/8-19	-04 1/4
I1T-0606	-06 3/8-19	-06 3/8
I1T-0608	-06 3/8-19	-08 1/2
I1T-0806	-08 1/2-14	-06 3/8
I1T-0808	-08 1/2-14	-08 1/2
I1T-0810	-08 1/2-14	-10 5/8
I1T-0812		
I1T-1208		
I1T-1212	-12 3/4-14	-12 3/4

I1J

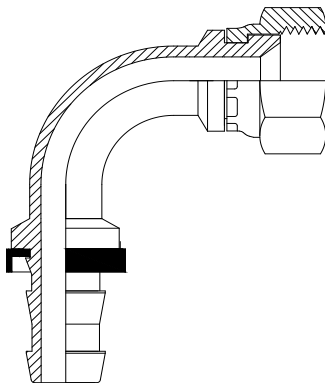
JIC FEMALE PUSH-ON



Item No	A-JIC	B-Hose	
I1J-0704	-07 7/16-20	-04 1/4	
I1J-0704B	-07 7/16-20	-04 1/4	BRASS
I1J-0804	-08 1/2-20	-04 1/4	
I1J-0805	-08 1/2-20	-05 5/16	
I1J-0904	-09 9/16-18	-04 1/4	
I1J-0905	-09 9/16-18	-05 5/16	
I1J-0906	-09 9/16-18	-06 3/8	
I1J-0906B	-09 9/16-18	-06 3/8	BRASS
I1J-1206	-12 3/4-16	-06 3/8	
I1J-1208	-12 3/4-16	-08 1/2	
I1J-1208B	-12 3/4-16	-08 1/2	BRASS
I1J-1408	-14 7/8-14	-08 1/2	
I1J-1410	-14 7/8-14	-10 5/8	
I1J-1712	-17 1.1/16-12	-12 3/4	
I1J-2116	-21 1.5/16-12	-16 1	

I1J9

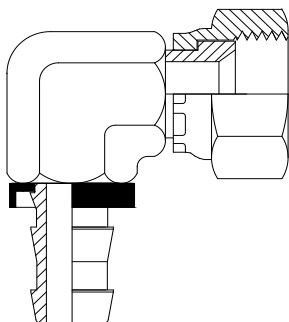
JIC FEMALE 90° SWEEP PUSH-ON



Item No	A-JIC	B-Hose
I1J9-0906		-06 3/8
I1J9-1206		-06 3/8
I1J9-1208		-08 1/2
I1J9-1410		-10 5/8

I1J9C

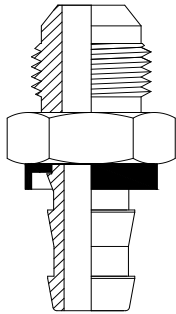
JIC FEMALE 90° COMPACT PUSH-ON



Item No	A-JIC	B-Hose
I1J9C-0704	-07 7/16-20	-04 1/4
I1J9C-0804	-08 1/2-20	-04 1/4
I1J9C-0904	-09 9/16-18	-04 1/4
I1J9C-0905	-09 9/16-18	-05 5/16
I1J9C-0906	-09 9/16-18	-06 3/8
I1J9C-1206	-12 3/4-16	-06 3/8
I1J9C-1208	-12 3/4-16	-08 1/2
I1J9C-1408	-14 7/8-14	-08 1/2
I1J9C-1410	-14 7/8-14	-10 5/8
I1J9C-1712	-17 1.1/16-12	-12 3/4

I1JM

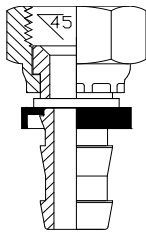
JIC MALE PUSH-ON



Item No	A-JIC	B-Hose
I1JM-0704	-07 7/16-20	-04 1/4
I1JM-0804	-08 1/2-20	-04 1/4
I1JM-0805	-08 1/2-20	-05 5/16
I1JM-0904	-09 9/16-18	-04 1/4
I1JM-0906	-09 9/16-18	-06 3/8
I1JM-1206	-12 3/4-16	-06 3/8
I1JM-1208	-12 3/4-16	-08 1/2
I1JM-1408	-14 7/8-14	-08 1/2
I1JM-1410	-14 7/8-16	-10 5/8
I1JM-1412	-14 7/8-16	-12 3/4
I1JM-1708	-17 1.1/16-12	-08 1/2
I1JM-1710	-17 1.1/16-12	-10 5/8
I1JM-1712	-17 1.1/16-12	-12 3/4

I1P

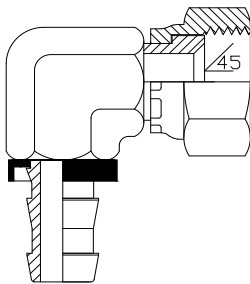
SAE FEMALE PUSH-ON



Item No	A-SAE	B-Hose
I1P-0804		-04 1/4
I1P-1004	-10 5/8-18	-04 1/4
I1P-1006	-10 5/8-18	-06 3/8
I1P-1712		-12 3/4

I1P9C

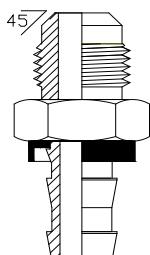
SAE FEMALE 90° COMPACT PUSH-ON



Item No	A-SAE	B-Hose
I1P9C-1006	-10 5/8-18	-06 3/8

I1PM

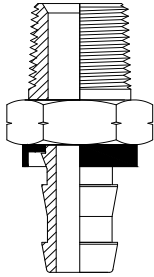
SAE MALE PUSH-ON



Item No	A-SAE	B-Hose
I1PM-1006	-10 5/8-18	-06 3/8

I1N

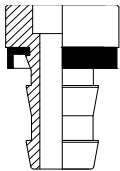
NPT MALE PUSH-ON



Item No	A-NPT	B-Hose
I1N-0204	-02 1/8-27	-04 1/4
I1N-0404	-04 1/4-18	-04 1/4
I1N-0406	-04 1/4-18	-06 3/8
I1N-0606	-06 3/8-18	-06 3/8
I1N-0608	-06 3/8-18	-08 1/2
I1N-0808	-08 1/2-14	-08 1/2
I1N-1212	-12 3/4-14	-12 3/4

I1W

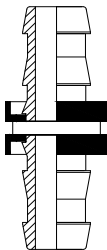
TUBE WELD PUSH-ON



Item No	A-TUBE	B-Hose
I1W-0404	-04 1/4	-04 1/4
I1W-0606	-06 3/8	-06 3/8
I1W-0808	-08 1/2	-08 1/2
I1W-1010	-10 5/8	-10 5/8
I1W-1212	-12 3/4	-12 3/4

I1HJ

HOSE JOINER PUSH-ON

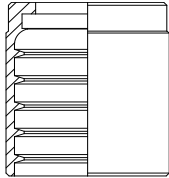


Item No	A-Hose	B-Hose
I1HJ-0404	-04 1/4	-04 1/4
I1HJ-0505	-05 5/16	-05 5/16
I1HJ-0606	-06 3/8	-06 3/8
I1HJ-0808	-08 1/2	-08 1/2
I1HJ-1010	-10 5/8	-10 5/8
I1HJ-1212	-12 3/4	-12 3/4

CRIMP HOSE FITTINGS

CFN

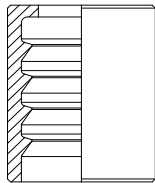
FERRULE - BRAIDED HOSE



	Item No	B-Hose	H1
	CFN-03	-03 3/16	
	CFN-04	-04 1/4	
	CFN-05	-05 5/16	
	CFN-06	-06 3/8	
	CFN-08	-08 1/2	
	CFN-10	-10 5/8	
	CFN-12	-12 3/4	
	CFN-16	-16 1	
	CFN-20	-20 1.1/4	
	CFN-24	-24 1.1/2	
	CFN-32	-32 2	

CF1

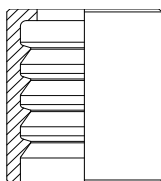
FERRULE - R1AT



	Item No	B-Hose	H1
	CF1-04	-04 1/4	
	CF1-05	-05 5/16	
	CF1-06	-06 3/8	
	CF1-08	-08 1/2	
	CF1-10	-10 5/8	
	CF1-12	-12 3/4	
	CF1-16	-16 1	
	CF1-20	-20 1.1/4	
	CF1-24	-24 1.1/2	
	CF1-32	-32 2	

CF2

FERRULE - R2AT



	Item No	B-Hose	H1
	CF2-04	-04 1/4	
	CF2-06	-06 3/8	
	CF2-08	-08 1/2	
	CF2-10	-10 5/8	
	CF2-12	-12 3/4	
	CF2-16	-16 1	
	CF2-20	-20 1.1/4	
	CF2-24	-24 1.1/2	
	CF2-32	-32 2	

CF4

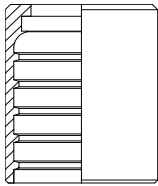
FERRULE - FOUR SPIRAL 4000 psi

Item No	B-Hose
CF4-08	-08 1/2
CF4-10	-10 5/8
CF4-12	-12 3/4
CF4-16	-16 1

* For use with I2 Series inserts

CF7

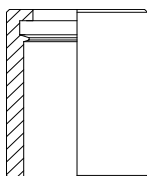
FERRULE - THERMOPLASTIC HOSE



Item No	B-Hose	H1
CF7-02	-02 1/8	
CF7-03	-03 3/16	
CF7-04	-04 1/4	
CF7-05	-05 5/16	
CF7-06	-06 3/8	
CF7-08	-08 1/2	
CF7-10	-10 5/8	
CF7-12	-12 3/4	
CF7-16	-16 1	

CFT

FERRULE - TEFLON HOSE



Item No	B-Hose	H1
CFT-03	-03 3/16	
CFT-04	-04 1/4	
CFT-05	-05 5/16	
CFT-06	-06 3/8	
CFT-08	-08 1/2	
CFT-10	-10 5/8	
CFT-12	-12 3/4	
CFT-16	-16 1	

I2B / H2B

BSP FEMALE

	Two piece	One piece	A-BSPP	B-Hose	H1
	I2B-0203		-02 1/8-28	-03 3/16	
	I2B-0204	H2B-0204	-02 1/8-28	-04 1/4	
	I2B-0403		-04 1/4-19	-03 3/16	
	I2B-0404	H2B-0404	-04 1/4-19	-04 1/4	
	I2B-0405	H2B-0405	-04 1/4-19	-05 5/16	
	I2B-0406	H2B-0406	-04 1/4-19	-06 3/8	
	I2B-0604	H2B-0604	-06 3/8-19	-04 1/4	
	I2B-0605	H2B-0605	-06 3/8-19	-05 5/16	
	I2B-0606	H2B-0606	-06 3/8-19	-06 3/8	
	I2B-0608	H2B-0608	-06 3/8-19	-08 1/2	
	I2B-0806	H2B-0806	-08 1/2-14	-06 3/8	
	I2B-0808	H2B-0808	-08 1/2-14	-08 1/2	
	I2B-0810	H2B-0810	-08 1/2-14	-10 5/8	
	I2B-1008	H2B-1008	-10 5/8-14	-08 1/2	
	I2B-1010	H2B-1010	-10 5/8-14	-10 5/8	
	I2B-1208	H2B-1208	-12 3/4-14	-08 1/2	
	I2B-1210	H2B-1210	-12 3/4-14	-10 5/8	
	I2B-1212	H2B-1212	-12 3/4-14	-12 3/4	
	I2B-1216	H2B-1216	-12 3/4-14	-16 1	
	I2B-1612	H2B-1612	-16 1-11	-12 3/4	
	I2B-1616	H2B-1616	-16 1-11	-16 1	
	I2B-2016	H2B-2016	-20 1.1/4-11	-16 1	
	I2B-2020	H2B-2020	-20 1.1/4-11	-20 1.1/4	
	I2B-2424		-24 1.1/2	-24 1.1/2	
	I2B-3232		-32 2-11	-32 2	
	I2B-4040		-40 2.1/2-11	-40 2.1/2	

I2B4 / H2B4

BSP FEMALE 45° BEND

	Two piece	One piece	A-BSPP	B-Hose	H1
	I2B4-0404	H2B4-0404	-04 1/4-19	-04 1/4	
	I2B4-0604	H2B4-0604	-06 3/8-19	-04 1/4	
	I2B4-0606	H2B4-0606	-06 3/8-19	-06 3/8	
	I2B4-0806	H2B4-0806	-08 1/2-14	-06 3/8	
	I2B4-0808	H2B4-0808	-08 1/2-14	-08 1/2	
	I2B4-1010	H2B4-1010	-10 5/8-14	-10 5/8	
	I2B4-1212	H2B4-1212	-12 3/4-14	-12 3/4	
	I2B4-1616	H2B4-1616	-16 1-11	-16 1	
	I2B4-2020	H2B4-2020	-20 1.1/4-11	-20 1.1/4	
	I2B4-2424		-24 1.1/2-11	-24 1.1/2	
	I2B4-3232		-32 2-11	-32 2	

I2B9 / H2B9

BSP FEMALE 90° BEND

	Two piece	One piece	A-BSPP	B-Hose	H1
	I2B9-0203	H2B9-0404	-02 1/8-28	-03 3/16	
	I2B9-0204	H2B9-0404	-02 1/8-28	-04 1/4	
	I2B9-0404	H2B9-0404	-04 1/4-19	-04 1/4	
	I2B9-0604	H2B9-0604	-06 3/8-19	-04 1/4	
	I2B9-0606	H2B9-0606	-06 3/8-19	-06 3/8	
	I2B9-0806	H2B9-0806	-08 1/2-14	-06 3/8	
	I2B9-0808	H2B9-0808	-08 1/2-14	-08 1/2	
	I2B9-1008	H2B9-1008	-10 5/8-14	-08 1/2	
	I2B9-1010	H2B9-1010	-10 5/8-14	-10 5/8	
	I2B9-1208	H2B9-1208	-12 3/4-14	-08 1/2	
	I2B9-1210	H2B9-1210	-12 3/4-14	-10 5/8	
	I2B9-1212	H2B9-1212	-12 3/4-14	-12 3/4	
	I2B9-1616	H2B9-1616	-16 1-11	-16 1	
	I2B9-2020	H2B9-2020	-20 1.1/4-11	-20 1.1/4	
	I2B9-2424		-24 1.1/2-11	-24 1.1/2	
	I2B9-3232		-32 2-1	-32 2	

I2B9C / H2B9C

BSP FEMALE 90° COMPACT

	Two piece	One piece	A-BSPP	B-Hose	H1
	I2B9C-0404	H2B9C-0404	-04 1/4-19	-04 1/4	
	I2B9C-0604	H2B9C-0604	-06 3/8-19	-04 1/4	
	I2B9C-0606	H2B9C-0606	-06 3/8-19	-06 3/8	
	I2B9C-0806	H2B9C-0806	-08 1/2-14	-06 3/8	
	I2B9C-0808	H2B9C-0808	-08 1/2-14	-08 1/2	
	I2B9C-1212	H2B9C-1212	-12 3/4-14	-12 3/4	
	I2B9C-1616	H2B9C-1616	-16 1-11	-16 1	
	I2B9C-2020	H2B9C-2020	-20 1.1/4-11	-20 1.1/4	

I2T / H2T

BSPT MALE

	Two piece	One piece	A-BSPT	B-Hose
	I2T-0203		-02 1/8-28	-03 3/16
	I2T-0204	H2T-0204	-02 1/8-28	-04 1/4
	I2T-0404	H2T-0404	-04 1/4-19	-04 1/4
	I2T-0406	H2T-0406	-04 1/4-19	-06 3/8
	I2T-0604	H2T-0604	-06 3/8-19	-04 1/4
	I2T-0605	H2T-0605	-06 3/8-19	-05 5/16
	I2T-0606	H2T-0606	-06 3/8-19	-06 3/8
	I2T-0608	H2T-0608	-06 3/8-19	-08 1/2
	I2T-0804	H2T-0804	-08 1/2-14	-04 1/4
	I2T-0806	H2T-0806	-08 1/2-14	-06 3/8
	I2T-0808	H2T-0808	-08 1/2-14	-08 1/2
	I2T-0810	H2T-0810	-08 1/2-14	-10 5/8
	I2T-0812	H2T-0812	-08 1/2-14	-12 3/4
	I2T-1008	H2T-1008	-10 5/8-14	-08 1/2
	I2T-1010	H2T-1010	-10 5/8-14	-10 5/8
	I2T-1206	H2T-1206	-12 3/4-14	-06 3/8
	I2T-1208	H2T-1208	-12 3/4-14	-08 1/2
	I2T-1210	H2T-1210	-12 3/4-14	-10 5/8
	I2T-1212	H2T-1212	-12 3/4-14	-12 3/4
	I2T-1216	H2T-1216	-12 3/4-14	-16 1
	I2T-1612	H2T-1612	-16 1-11	-12 3/4
	I2T-1616	H2T-1616	-16 1-11	-16 1
	I2T-1620	H2T-1620	-16 1-11	-20 1.1/4
	I2T-2016	H2T-2016	-20 1.1/4-11	-16 1
	I2T-2020	H2T-2020	-20 1.1/4-11	-20 1.1/4
	I2T-2424		-24 1.1/2-11	-24 1.1/2
	I2T-3232		-32 2-11	-32 2

I2TX / H2TX

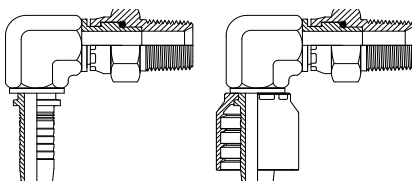
BSPT MALE SWIVEL

	Two piece	One piece	A-BSPT	B-Hose
	I2TX-0404	H2TX-0404	-04 1/4-19	-04 1/4
	I2TX-0606	H2TX-0606	-06 3/8-19	-06 3/8
	I2TX-0806	H2TX-0806	-08 1/2-14	-06 3/8
	I2TX-0808	H2TX-0808	-08 1/2-14	-08 1/2
	I2TX-1212	H2TX-1212	-12 3/4-14	-12 3/4
	I2TX-1616	H2TX-1616	-16 1-11	-16 1

I2TX9 / H2TX9

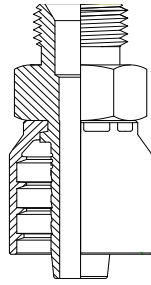
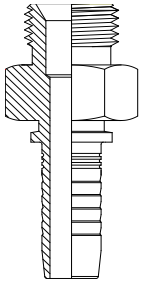
BSPT MALE 90° COMPACT SWIVEL

	Two piece	One piece	A-BSPT	B-Hose
	I2TX9-0404	H2TX9-0404	-04 1/4-19	-04 1/4
	I2TX9-0606	H2TX9-0606	-06 3/8-19	-06 3/8
	I2TX9-0808	H2TX9-0808	-08 1/2-14	-08 1/2



I2G / H2G

BSPP MALE

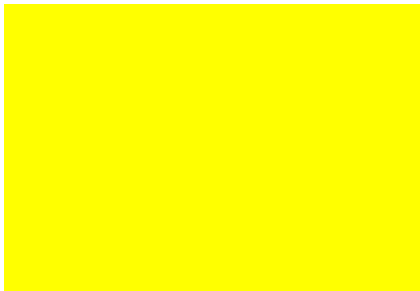


	Two piece	One piece	A-BSPP	B-Hose	H1
I2G-0204		H2G-0204	-02 1/8-28	-04 1/4	
I2G-0404		H2G-0404	-04 1/4-19	-04 1/4	
I2G-0406		H2G-0406	-04 1/4-19	-06 3/8	
I2G-0604		H2G-0604	-06 3/8-19	-04 1/4	
I2G-0606		H2G-0606	-06 3/8-19	-06 3/8	
I2G-0608		H2G-0608	-06 3/8-19	-08 1/2	
I2G-0806		H2G-0806	-08 1/2-14	-06 3/8	
I2G-0808		H2G-0808	-08 1/2-14	-08 1/2	
I2G-1208		H2G-1208	-12 3/4-14	-08 1/2	
I2G-1210		H2G-1210	-12 3/4-14	-10 5/8	
I2G-1212		H2G-1212	-12 3/4-14	-12 3/4	
I2G-1216		H2G-1216	-12 3/4-14	-16 1	
I2G-1612		H2G-1612	-16 1-11	-12 3/4	
I2G-1616		H2G-1616	-16 1-11	-16 1	
I2G-2020		H2G-2020	-20 1.1/4-11	-20 1.1/4	
I2G-2424			-24 1.1/2-11	-24 1.1/2	
I2G-3232			-32 2-11	-32 2	

I2GX9 / H2GX9

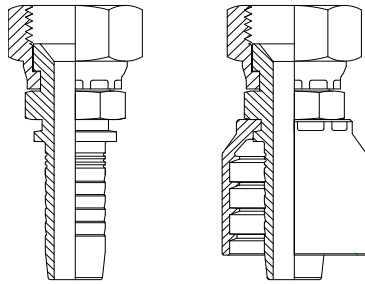
BSPP(ES) MALE 90° COMPACT SWIVEL

	Two piece	One piece	A-BSPP	B-Hose	H1
I2G-0808		H2G-0808	-08 1/2-14	-08 1/2	



I2J / H2J

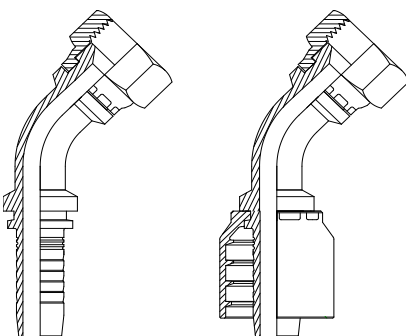
JIC FEMALE



	Two piece	One piece	A-JIC	B-Hose	H1
I2J-0703		H2J-0703	-07 7/16-20	-03 3/16	
I2J-0704		H2J-0704	-07 7/16-20	-04 1/4	
I2J-0804		H2J-0804	-08 1/2-20	-04 1/4	
I2J-0805		H2J-0805	-08 1/2-20	-05 5/16	
I2J-0904		H2J-0904	-09 9/16-18	-04 1/4	
I2J-0905		H2J-0905	-09 9/16-18	-05 5/16	
I2J-0906		H2J-0906	-09 9/16-18	-06 3/8	
I2J-0908		H2J-0908	-09 9/16-18	-08 1/2	
I2J-1204		H2J-1204	-12 3/4-16	-04 1/4	
I2J-1206		H2J-1206	-12 3/4-16	-06 3/8	
I2J-1208		H2J-1208	-12 3/4-16	-08 1/2	
I2J-1210		H2J-1210	-12 3/4-16	-10 5/8	
I2J-1406		H2J-1406	-14 7/8-14	-06 3/8	
I2J-1408		H2J-1408	-14 7/8-14	-08 1/2	
I2J-1410		H2J-1410	-14 7/8-14	-10 5/8	
I2J-1412		H2J-1412	-14 7/8-14	-12 3/4	
I2J-1708		H2J-1708	-17 1.1/16-12	-08 1/2	
I2J-1710		H2J-1710	-17 1.1/16-12	-10 5/8	
I2J-1712		H2J-1712	-17 1.1/16-12	-12 3/4	
I2J-1716		H2J-1716	-17 1.1/16-12	-16 1	
I2J-1912		H2J-1912	-19 1.3/16-12	-12 3/4	
I2J-1916		H2J-1916	-19 1.3/16-12	-16 1	
I2J-2112		H2J-2112	-21 1.5/16-12	-12 3/4	
I2J-2116		H2J-2116	-21 1.5/16-12	-16 1	
I2J-2616		H2J-2616	-26 1.5/8-12	-16 1	
I2J-2620		H2J-2620	-26 1.5/8-12	-20 1.1/4	
I2J-3020		H2J-3020	-30 1.7/8-12	-20 1.1/4	
I2J-3024			-30 1.7/8-12	-24 1.1/2	
I2J-4032			-40 2.1/2-12	-32 2	

I2J4 / H2J4

JIC FEMALE 45° BEND

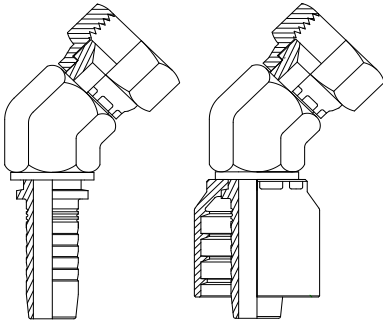


	Two piece	One piece	A-JIC	B-Hose	H1
I2J4-0704		H2J4-0704	-07 7/16-20	-04 1/4	
I2J4-0804		H2J4-0804	-08 1/2-20	-04 1/4	
I2J4-0904		H2J4-0904	-09 9/16-18	-04 1/4	
I2J4-0905		H2J4-0905	-09 9/16-18	-05 5/16	
I2J4-0906		H2J4-0906	-09 9/16-18	-06 3/8	
I2J4-1206		H2J4-1206	-12 3/4-16	-06 3/8	
I2J4-1208		H2J4-1208	-12 3/4-16	-08 1/2	
I2J4-1408		H2J4-1408	-14 7/8-14	-08 1/2	
I2J4-1410		H2J4-1410	-14 7/8-14	-10 5/8	
I2J4-1412		H2J4-1412	-14 7/8-14	-12 3/4	
I2J4-1708		H2J4-1708	-17 1.1/16-12	-08 1/2	
I2J4-1710		H2J4-1710	-17 1.1/16-12	-10 5/8	
I2J4-1712		H2J4-1712	-17 1.1/16-12	-12 3/4	
I2J4-1912		H2J4-1912	-19 1.3/16-12	-12 3/4	
I2J4-2112		H2J4-2112	-21 1.5/16-12	-12 3/4	
I2J4-2116		H2J4-2116	-21 1.5/16-12	-16 1	
I2J4-2620		H2J4-2620	-26 1.5/8-12	-20 1.1/4	
I2J4-3024			-30 1.7/8-12	-24 1.1/2	
I2J4-4032			-40 2.1/2-12	-32 2	

I2J4C / H2J4C

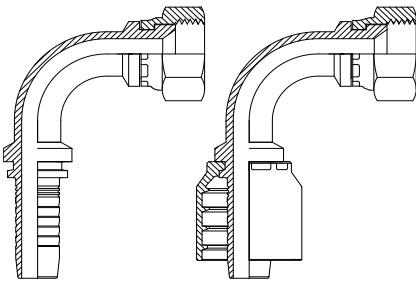
JIC FEMALE 45° COMPACT

	Two piece	One piece	A-JIC	B-Hose	H1
	I2J4C-1712	H2J4C-1712	-17 1.1/16-12	-12 3/4	



I2J9 / H2J9

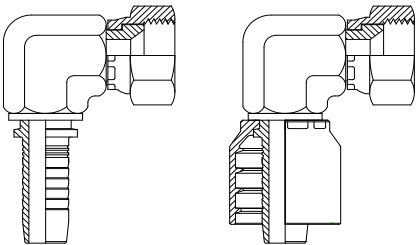
JIC FEMALE 90° BEND



	Two piece	One piece	A-JIC	B-Hose
I2J9-0703		H2J9-0703	-07 7/16-20	-03 3/16
I2J9-0704		H2J9-0704	-07 7/16-20	-04 1/4
I2J9-0804		H2J9-0804	-08 1/2-20	-04 1/4
I2J9-0904		H2J9-0904	-09 9/16-18	-04 1/4
I2J9-0905		H2J9-0905	-09 9/16-18	-05 5/16
I2J9-0906		H2J9-0906	-09 9/16-18	-06 3/8
I2J9-1204		H2J9-1204	-12 3/4-16	-04 1/4
I2J9-1206		H2J9-1206	-12 3/4-16	-06 3/8
I2J9-1208		H2J9-1208	-12 3/4-16	-08 1/2
I2J9-1406		H2J9-1406	-14 7/8-14	-06 3/8
I2J9-1408		H2J9-1408	-14 7/8-14	-08 1/2
I2J9-1410		H2J9-1410	-14 7/8-14	-10 5/8
I2J9-1412		H2J9-1412	-14 7/8-14	-12 3/4
I2J9-1708		H2J9-1708	-17 1.1/16-12	-08 1/2
I2J9-1710		H2J9-1710	-17 1.1/16-12	-10 5/8
I2J9-1712		H2J9-1712	-17 1.1/16-12	-12 3/4
I2J9-1912		H2J9-1912	-19 1.3/16-12	-12 3/4
I2J9-2112		H2J9-2112	-21 1.5/16-12	-12 3/4
I2J9-2116		H2J9-2116	-21 1.5/16-12	-16 1
I2J9-2616		H2J9-2616	-26 1.5/8-12	-16 1
I2J9-2620		H2J9-2620	-26 1.5/8-12	-20 1.1/4
I2J9-3024			-30 1.7/8-12	-24 1.1/2
I2J9-4032			-40 2.1/2-12	-32 2

I2J9C / H2J9C

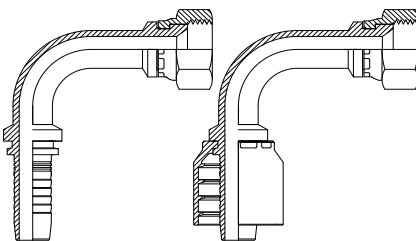
JIC FEMALE 90° COMPACT



	Two piece	One piece	A-JIC	B-Hose
I2J9C-0704		H2J9C-0704	-07 7/16-20	-04 1/4
I2J9C-0804		H2J9C-0804	-08 1/2-20	-04 1/4
I2J9C-0904		H2J9C-0904	-09 9/16-18	-04 1/4
I2J9C-0906		H2J9C-0906	-09 9/16-18	-06 3/8
I2J9C-1206		H2J9C-1206	-12 3/4-16	-06 3/8
I2J9C-1208		H2J9C-1208	-12 3/4-16	-08 1/2
I2J9C-1408		H2J9C-1408	-14 7/8-14	-08 1/2
I2J9C-1708		H2J9C-1708	-17 1.1/16-12	-08 1/2
I2J9C-1712		H2J9C-1712	-17 1.1/16-12	-12 3/4
I2J9C-2116		H2J9C-2116	-21 1.5/16-12	-16 1

I2J9L / H2J9L

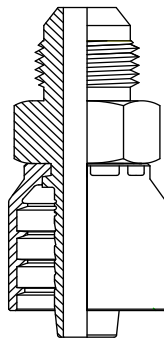
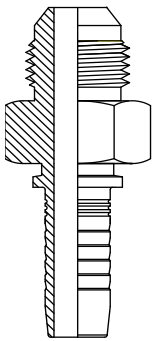
JIC FEMALE 90° BEND LONG DROP



	Two piece	One piece	A-JIC	B-Hose
I2J9L-0704		H2J9L-0704	-07 7/16-20	-04 1/4
I2J9L-0904		H2J9L-0904	-09 9/16-18	-04 1/4
I2J9L-0906		H2J9L-0906	-09 9/16-18	-06 3/8
I2J9L-1206		H2J9L-1206	-12 3/4-16	-06 3/8
I2J9L-1208		H2J9L-1208	-12 3/4-16	-08 1/2
I2J9L-1408		H2J9L-1408	-14 7/8-14	-08 1/2
I2J9L-1410		H2J9L-1410	-14 7/8-14	-10 5/8
I2J9L-1712		H2J9L-1712	-17 1.1/16-12	-12 3/4
I2J9L-2116		H2J9L-2116	-21 1.5/16-12	-16 1
I2J9L-2620		H2J9L-2620	-26 1.5/8-12	-20 1.1/4

I2JM / H2JM

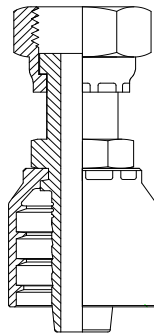
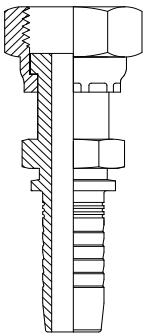
JIC MALE



Two piece	One piece	A-JIC	B-Hose
I2JM-0703	H2JM-0703	-07 7/16-20	-03 3/16
I2JM-0704	H2JM-0704	-07 7/16-20	-04 1/4
I2JM-0804	H2JM-0804	-08 1/2-20	-04 1/4
I2JM-0805	H2JM-0805	-08 1/2-20	-05 5/16
I2JM-0904	H2JM-0904	-09 9/16-18	-04 1/4
I2JM-0905	H2JM-0905	-09 9/16-18	-05 5/16
I2JM-0906	H2JM-0906	-09 9/16-18	-06 3/8
I2JM-1204	H2JM-1204	-12 3/4-16	-04 1/4
I2JM-1206	H2JM-1206	-12 3/4-16	-06 3/8
I2JM-1208	H2JM-1208	-12 3/4-16	-08 1/2
I2JM-1406	H2JM-1406	-14 7/8-14	-06 3/8
I2JM-1408	H2JM-1408	-14 7/8-14	-08 1/2
I2JM-1410	H2JM-1410	-14 7/8-14	-10 5/8
I2JM-1412	H2JM-1412	-14 7/8-14	-12 3/4
I2JM-1708	H2JM-1708	-17 1.1/16-12	-08 1/2
I2JM-1710	H2JM-1710	-17 1.1/16-12	-10 5/8
I2JM-1712	H2JM-1712	-17 1.1/16-12	-12 3/4
I2JM-1716	H2JM-1716	-17 1.1/16-12	-16 1
I2JM-1912	H2JM-1912	-19 1.3/16-12	-12 3/4
I2JM-2112	H2JM-2112	-21 1.5/16-12	-12 3/4
I2JM-2116	H2JM-2116	-21 1.5/16-12	-16 1
I2JM-2616	H2JM-2616	-26 1.5/8-12	-16 1
I2JM-2620	H2JM-2620	-26 1.5/8-12	-20 1.1/4
I2JM-3024		-30 1.7/8-12	-24 1.1/2
I2JM-4032		-40 2.1/2-12	-32 2

I2F / H2F

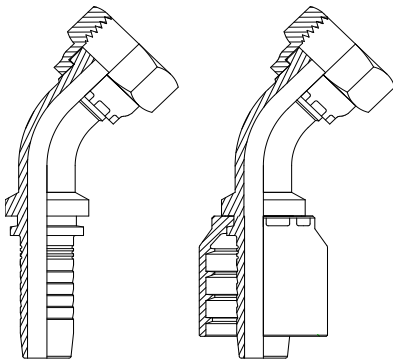
ORFS FEMALE



Two piece	One piece	A-ORFS	B-Hose	H1
I2F-0904	H2F-0904	-09 9/16-18	-04 1/4	
I2F-0906	H2F-0906	-09 9/16-18	-06 3/8	
I2F-1104	H2F-1104	-11 11/16-16	-04 1/4	
I2F-1105	H2F-1105	-11 11/16-16	-05 5/16	
I2F-1106	H2F-1106	-11 11/16-16	-06 3/8	
I2F-1108	H2F-1108	-11 11/16-16	-08 1/2	
I2F-1306	H2F-1306	-13 13/16-16	-06 3/8	
I2F-1308	H2F-1308	-13 13/16-16	-08 1/2	
I2F-1608	H2F-1608	-16 1-14	-08 1/2	
I2F-1610	H2F-1610	-16 1-14	-10 5/8	
I2F-1612	H2F-1612	-16 1-14	-12 3/4	
I2F-1908	H2F-1908	-19 1.3/16-12	-06 3/8	
I2F-1910	H2F-1910	-19 1.3/16-12	-10 5/8	
I2F-1912	H2F-1912	-19 1.3/16-12	-12 3/4	
I2F-2312	H2F-2312	-23 1.7/16-12	-12 3/4	
I2F-2316	H2F-2316	-23 1.7/16-12	-16 1	
I2F-2720	H2F-2720	-27 1.11/16-12	-20 1.1/4	
I2F-3224		-32 2-12	-24 1.1/2	

I2F4 / H2F4

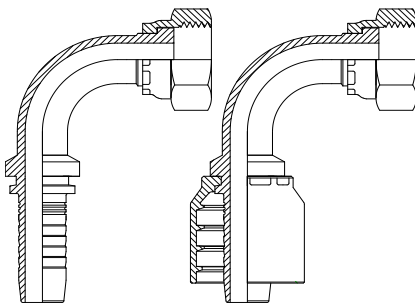
ORFS FEMALE 45° BEND



	Two piece	One piece	A-ORFS	B-Hose	H1
I2F4-0904		H2F4-0904	-09 9/16-18	-04 1/4	
I2F4-1104		H2F4-1104	-11 11/16-16	-04 1/4	
I2F4-1105		H2F4-1105	-11 11/16-16	-05 5/16	
I2F4-1106		H2F4-1106	-11 11/16-16	-06 3/8	
I2F4-1306		H2F4-1306	-13 13/16-16	-06 3/8	
I2F4-1308		H2F4-1308	-13 13/16-16	-08 1/2	
I2F4-1608		H2F4-1608	-16 1-14	-08 1/2	
I2F4-1610		H2F4-1610	-16 1-14	-10 5/8	
I2F4-1910		H2F4-1910	-19 1.3/16-12	-10 5/8	
I2F4-1912		H2F4-1912	-19 1.3/16-12	-12 3/4	
I2F4-2312		H2F4-2312	-23 1.7/16-12	-12 3/4	
I2F4-2316		H2F4-2316	-23 1.7/16-12	-16 1	
I2F4-2720		H2F4-2720	-27 1.11/16-12	-20 1.1/4	
I2F4-3224			-32 2-12	-24 1.1/2	

I2F9 / H2F9

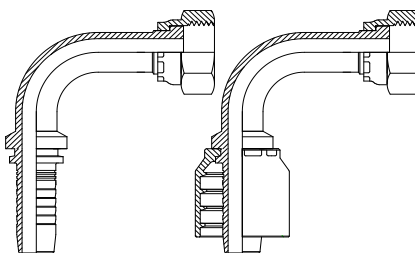
ORFS FEMALE 90° BEND



	Two piece	One piece	A-ORFS	B-Hose	H1
I2F9-0904		H2F9-0904	-09 9/16-18	-04 1/4	
I2F9-0906		H2F9-0906	-09 9/16-18	-06 3/8	
I2F9-1104		H2F9-1104	-11 11/16-16	-04 1/4	
I2F9-1105		H2F9-1105	-11 11/16-16	-05 5/16	
I2F9-1106		H2F9-1106	-11 11/16-16	-06 3/8	
I2F9-1306		H2F9-1306	-13 13/16-16	-06 3/8	
I2F9-1308		H2F9-1308	-13 13/16-16	-08 1/2	
I2F9-1608		H2F9-1608	-16 1-14	-08 1/2	
I2F9-1610		H2F9-1610	-16 1-14	-10 5/8	
I2F9-1908		H2F9-1908	-19 1.3/16-12	-08 1/2	
I2F9-1910		H2F9-1910	-19 1.3/16-12	-10 5/8	
I2F9-1912		H2F9-1912	-19 1.3/16-12	-12 3/4	
I2F9-2312		H2F9-2312	-23 1.7/16-12	-12 3/4	
I2F9-2316		H2F9-2316	-23 1.7/16-12	-16 1	
I2F9-2720		H2F9-2720	-27 1.11/16-12	-20 1.1/4	
I2F9-3224			-32 2-12	-24 1.1/2	

I2F9L / H2F9L

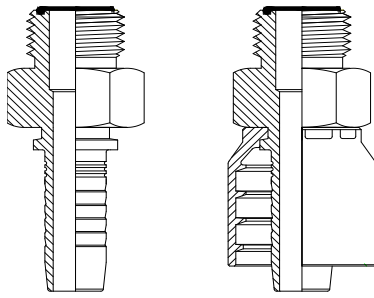
ORFS FEMALE 90° BEND LONG DROP



	Two piece	One piece	A-ORFS	B-Hose	H1
I2F9L-0904		H2F9L-0904	-09 9/16-18	-04 1/4	
I2F9L-1104		H2F9L-1104	-11 11/16-16	-04 1/4	
I2F9L-1106		H2F9L-1106	-11 11/16-16	-06 3/8	
I2F9L-1306		H2F9L-1306	-13 13/16-16	-06 3/8	
I2F9L-1308		H2F9L-1308	-13 13/16-16	-08 1/2	
I2F9L-1608		H2F9L-1608	-16 1-14	-08 1/2	
I2F9L-1610		H2F9L-1610	-16 1-14	-10 5/8	
I2F9L-1910		H2F9L-1910	-19 1.3/16-12	-10 5/8	
I2F9L-1912		H2F9L-1912	-19 1.3/16-12	-12 3/4	
I2F9L-2312		H2F9L-2312	-23 1.7/16-12	-12 3/4	
I2F9L-2316		H2F9L-2316	-23 1.7/16-12	-16 1	
I2F9L-2720		H2F9L-2720	-27 1.11/16-12	-20 1.1/4	

I2FM / H2FM

ORFS MALE



	Two piece	One piece	A-ORFS	B-Hose	H1
	I2FM-0904	H2FM-0904	-09 9/16-18	-04 1/4	
	I2FM-1104	H2FM-1104	-11 11/16-16	-04 1/4	
	I2FM-1105	H2FM-1105	-11 11/16-16	-05 5/16	
	I2FM-1106	H2FM-1106	-11 11/16-16	-06 3/8	
	I2FM-1306	H2FM-1306	-13 13/16-16	-06 3/8	
	I2FM-1308	H2FM-1308	-13 13/16-16	-08 1/2	
	I2FM-1608	H2FM-1608	-16 1-14	-08 1/2	
	I2FM-1610	H2FM-1610	-16 1-14	-10 5/8	
	I2FM-1910	H2FM-1910	-19 1.3/16-12	-10 5/8	
	I2FM-1912	H2FM-1912	-19 1.3/16-12	-12 3/4	
	I2FM-2312	H2FM-2312	-23 1.7/16-12	-12 3/4	
	I2FM-2316	H2FM-2316	-23 1.7/16-12	-16 1	
	I2FM-2720	H2FM-2720	-27 1.11/16-12	-20 1.1/4	
	I2FM-3224		-32 2-12	-24 1.1/2	

I2P / H2P

SAE FEMALE (45° SEAT)

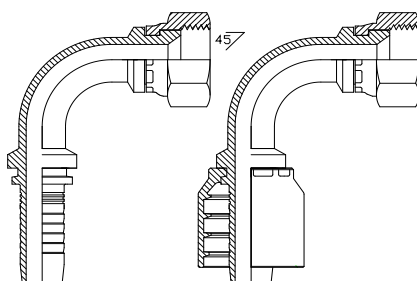
No hex insert drawing

	Two piece	One piece	A-SAE	B-Hose
	I2P-0704	H2P-0804	-07 7/16-24	-04 1/4
	I2P-0804	H2P-0804	-08 1/2-20	-04 1/4
	I2P-0806	H2P-0806	-08 1/2-20	-06 3/8
	I2P-1004	H2P-1004	-10 5/8-18	-04 1/4
	I2P-1006	H2P-1006	-10 5/8-18	-06 3/8
	I2P-1208	H2P-1208	-12-3/4-16	-08 1/2
	I2P-1712	H2P-1712	-17 1.1/16-14	-12 3/4

Note - Nuts have two identification notches.

I2P9 / H2P9

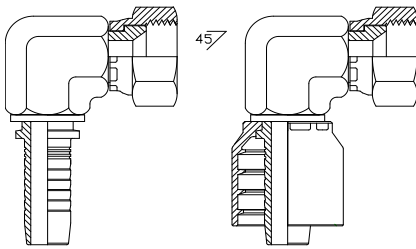
SAE FEMALE (45° SEAT) 90° BEND



	Two piece	One piece	A-SAE	B-Hose
	I2P9-1006	H2P9-1006	-10 5/8-18	-06 3/8
	I2P9-1712	H2P9-1712	-17 1.1/16-14	-12 3/4

I2P9C / H2P9C

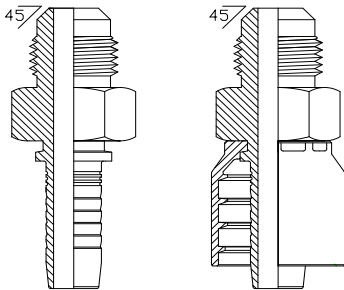
SAE FEMALE (45° SEAT) 90° COMPACT



	Two piece	One piece	A-SAE	B-Hose
I2P9C-0804		H2P9C-0804	-08 1/2-20	-04 1/4
I2P9C-0806		H2P9C-0806	-08 1/2-20	-06 3/8
I2P9C-1006		H2P9C-1006	-10 5/8-18	-06 3/8

I2PM / H2PM

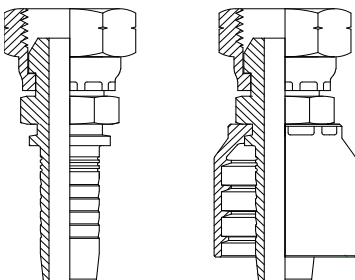
SAE MALE (45° SEAT)



	Two piece	One piece	A-SAE	B-Hose
I2PM-0806		H2PM-0806	-08 1/2-20	-06 3/8
I2PM-1004		H2PM-1004	-10 5/8-18	-04 1/4
I2PM-1006		H2PM-1006	-10 5/8-18	-06 3/8
I2PM-1712		H2PM-1712	-17 1.1/16-14	-12 3/4

I2U / H2U

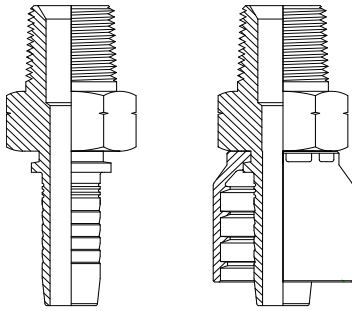
NPSM FEMALE



	Two piece	One piece	A-NPT	B-Hose
I2U-0404		H2U-0404	-04 1/4	-04 1/4
I2U-0406		H2U-0406	-04 1/4	-06 3/8
I2U-0606		H2U-0606	-06 3/8	-06 3/8
I2U-0806		H2U-0806	-08 1/2	-06 3/8
I2U-0808		H2U-0808	-08 1/2	-08 1/2
I2U-1212		H2U-1212	-12 3/4	-12 3/4
I2U-1616		H2U-1616	-16 1	-16 1
I2U-2020		H2U-2020	-20 1.1/4	-20 1.1/4

I2N / H2N

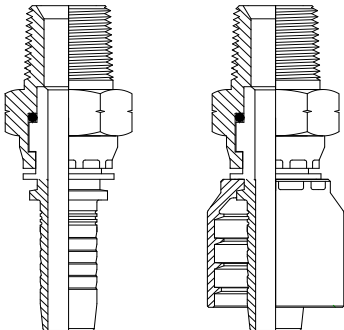
NPT MALE



Two piece	One piece	A-NPT	B-Hose
I2N-0204	H2N-0204	-02 1/8	-04 1/4
I2N-0404	H2N-0404	-04 1/4	-04 1/4
I2N-0406	H2N-0406	-04 1/4	-06 3/8
I2N-0604	H2N-0604	-06 3/8	-04 1/4
I2N-0605	H2N-0605	-06 3/8	-05 5/16
I2N-0606	H2N-0606	-06 3/8	-06 3/8
I2N-0608	H2N-0608	-06 3/8	-08 1/2
I2N-0806	H2N-0806	-08 1/2	-06 3/8
I2N-0808	H2N-0808	-08 1/2	-08 1/2
I2N-0810	H2N-0810	-08 1/2	-10 5/8
I2N-1208	H2N-1208	-12 3/4	-08 1/2
I2N-1210	H2N-1210	-12 3/4	-10 5/8
I2N-1212	H2N-1212	-12 3/4	-12 3/4
I2N-1612	H2N-1612	-16 1	-12 3/4
I2N-1616	H2N-1616	-16 1	-16 1
I2N-2016	H2N-2016	-20 1.1/4	-16 1
I2N-2020	H2N-2020	-20 1.1/4	-20 1.1/4
I2N-2424		-24 1.1/2	-24 1.1/2
I2N-3232		-32 2	-32 2

I2NX / H2NX

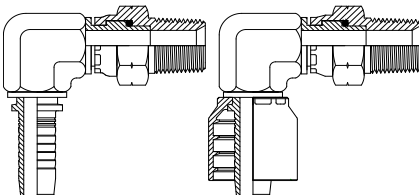
NPT MALE STRAIGHT SWIVEL



Two piece	One piece	A-NPT	B-Hose
I2NX-0404	H2NX-0404	-04 1/4	-04 1/4
I2NX-0606	H2NX-0606	-06 3/8	-06 3/8
I2NX-0806	H2NX-0806	-08 1/2	-06 3/8
I2NX-0808	H2NX-0808	-08 1/2	-08 1/2
I2NX-1212	H2NX-1212	-12 3/4	-12 3/4

I2NX9 / H2NX9

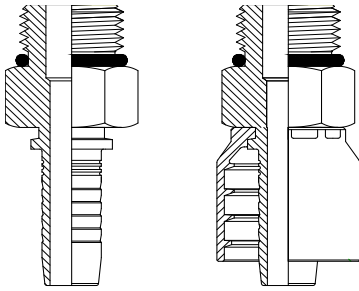
NPT MALE 90° SWIVEL



Two piece	One piece	A-NPT	B-Hose
I2NX9-0404	H2NX9-0404	-04 1/4	-04 1/4
I2NX9-0606	H2NX9-0606	-06 3/8	-06 3/8
I2NX9-0808	H2NX9-0808	-08 1/2	-08 1/2
I2NX9-1212	H2NX9-1212	-12 3/4	-12 3/4

I20 / H20

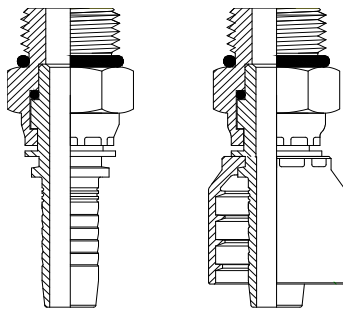
UNO RING MALE



Two piece	One piece	A-UNO	B-Hose
I20-0704	H20-0704	-07 7/16	-04 1/4
I20-0804	H20-0804	-08 1/2	-04 1/4
I20-0904	H20-0904	-09 9/16	-04 1/4
I20-0906	H20-0906	-09 9/16	-06 3/8
I20-1206	H20-1206	-12 3/4	-06 3/8
I20-1208	H20-1208	-12 3/4	-08 1/2
I20-1406	H20-1406	-14 7/8	-06 3/8
I20-1408	H20-1408	-14 7/8	-08 1/2
I20-1410	H20-1410	-14 7/8	-10 5/8
I20-1708	H20-1708	-17 1.1/16	-08 1/2
I20-1710	H20-1710	-17 1.1/16	-10 5/8
I20-1712	H20-1712	-17 1.1/16	-12 3/4
I20-2112	H20-2112	-21 1.5/16	-12 3/4
I20-2116	H20-2116	-21 1.5/16	-16 1
I20-2620	H20-2620	-26 1.5/8	-20 1.1/4

I20X / H20X

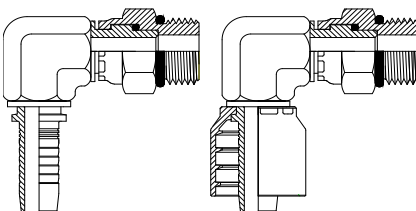
UNO RING MALE STRAIGHT SWIVEL



Two piece	One piece	A-UNO	B-Hose
I20X-0906	H20X-0906	-09 9/16	-06 3/8
I20X-1206	H20X-1206	-12 3/4	-06 3/8
I20X-1208	H20X-1208	-12 3/4	-08 1/2
I20X-1408	H20X-1408	-14 7/8	-08 1/2
I20X-1712	H20X-1712	-17 1.1/16	-12 3/4

I20X9 / H20X9

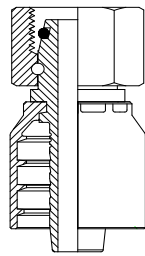
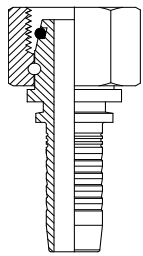
UNO RING MALE 90° SWIVEL



Two piece	One piece	A-UNO	B-Hose
I20X9-0906	H20X9-0906	-09 9/16	-06 3/8
I20X9-1206	H20X9-1206	-12 3/4	-06 3/8
I20X9-1208	H20X9-1208	-12 3/4	-08 1/2
I20X9-1406	H20X9-1406	-14 7/8	-06 3/8
I20X9-1408	H20X9-1408	-14 7/8	-08 1/2
I20X9-1712	H20X9-1712	-17 1.1/16	-12 3/4

I2C / H2C

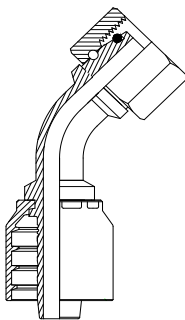
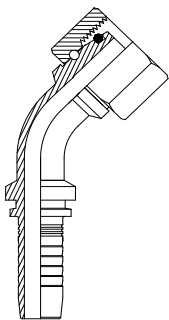
METRIC DKL FEMALE



	Two piece	One piece	A-METRIC	B-Hose	H1
I2C-1203		H2C-1203	-12mm *1.5	-03 3/16	
I2C-1204		H2C-1204	-12mm *1.5	-04 1/4	
I2C-1404		H2C-1404	-14mm *1.5	-04 1/4	
I2C-1604		H2C-1604	-16mm *1.5	-04 1/4	
I2C-1605		H2C-1605	-16mm *1.5	-05 5/16	
I2C-1606		H2C-1606	-16mm *1.5	-06 3/8	
I2C-1804		H2C-1804	-18mm *1.5	-04 1/4	
I2C-1806		H2C-1806	-18mm *1.5	-06 3/8	
I2C-1808		H2C-1808	-18mm *1.5	-08 1/2	
I2C-2206		H2C-2206	-22mm *1.5	-06 3/8	
I2C-2208		H2C-2208	-22mm *1.5	-08 1/2	
I2C-2608		H2C-2608	-26mm *1.5	-08 1/2	
I2C-2610		H2C-2610	-26mm *1.5	-10 5/8	
I2C-2612		H2C-2612	-26mm *1.5	-12 3/4	
I2C-3010		H2C-3010	-30mm *2.0	-10 5/8	
I2C-3012		H2C-3012	-30mm *2.0	-12 3/4	
I2C-3612		H2C-3612	-36mm *2.0	-12 3/4	
I2C-3616		H2C-3616	-36mm *2.0	-16 1	
I2C-4520		H2C-4520	-45mm *2.0	-20 1.1/4	
I2C-5224			-52mm *2.0	-24 1.1/2	

I2C4 / H2C4

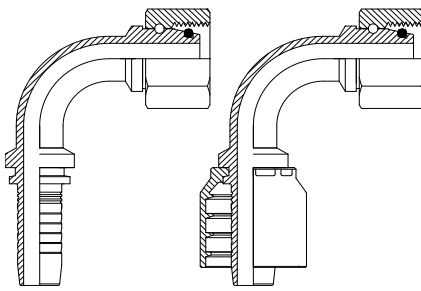
METRIC DKL FEMALE 45° BEND



	Two piece	One piece	A-METRIC	B-Hose	H1
I2C4-1204		H2C4-1204	-12mm *1.5	-04 1/4	
I2C4-1404		H2C4-1404	-14mm *1.5	-04 1/4	
I2C4-1406		H2C4-1406	-14mm *1.5	-06 3/8	
I2C4-1604		H2C4-1604	-16mm *1.5	-04 1/4	
I2C4-1606		H2C4-1606	-16mm *1.5	-06 3/8	
I2C4-1804		H2C4-1804	-18mm *1.5	-04 1/4	
I2C4-1806		H2C4-1806	-18mm *1.5	-06 3/8	
I2C4-2206		H2C4-2206	-22mm *1.5	-06 3/8	
I2C4-2208		H2C4-2208	-22mm *1.5	-08 1/2	
I2C4-2608		H2C4-2608	-26mm *1.5	-08 1/2	
I2C4-2610		H2C4-2610	-26mm *1.5	-10 5/8	
I2C4-2612		H2C4-2612	-26mm *1.5	-12 3/4	
I2C4-3012		H2C4-3012	-30mm *2.0	-12 3/4	
I2C4-3616		H2C4-3616	-36mm *2.0	-16 1	
I2C4-4520		H2C4-4520	-45mm *2.0	-20 1.1/4	
I2C4-5224			-52mm *2.0	-24- 1.1/2	

I2C9 / H2C9

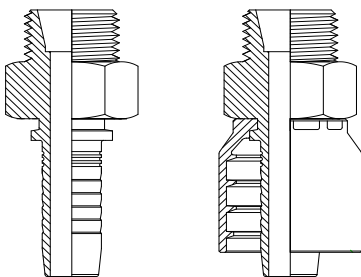
METRIC DKL FEMALE 90° BEND



	Two piece	One piece	A-METRIC	B-Hose	H1
I2C9-1204		H2C9-1204	-12mm *1.5	-04 1/4	
I2C9-1404		H2C9-1404	-14mm *1.5	-04 1/4	
I2C9-1604		H2C9-1604	-16mm *1.5	-04 1/4	
I2C9-1606		H2C9-1606	-16mm *1.5	-06 3/8	
I2C9-1804		H2C9-1804	-18mm *1.5	-04 1/4	
I2C9-1806		H2C9-1806	-18mm *1.5	-06 3/8	
I2C9-1808		H2C9-1808	-18mm *1.5	-08 1/2	
I2C9-2006		H2C9-2006	-20mm *1.5	-06 3/8	
I2C9-2206		H2C9-2206	-22mm *1.5	-06 3/8	
I2C9-2208		H2C9-2208	-22mm *1.5	-08 1/2	
I2C9-2608		H2C9-2608	-26mm *1.5	-08 1/2	
I2C9-2610		H2C9-2610	-26mm *1.5	-10 5/8	
I2C9-3012		H2C9-3012	-30mm *2.0	-12 3/4	
I2C9-3612		H2C9-3612	-36mm *2.0	-12 3/4	
I2C9-3616		H2C9-3616	-36mm *2.0	-16 1	
I2C9-4520		H2C9-4520	-45mm *2.0	-20 1.1/4	
I2C9-5224		H2C9-5224	-52mm *2.0	-24- 1.1/2	

I2CM / H2CM

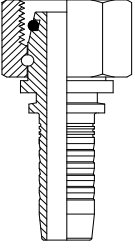
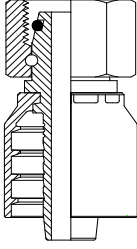
METRIC DKL MALE



	Two piece	One piece	A-METRIC	B-Hose	H1
I2CM-1204		H2CM-1204	-12mm *1.5	-04 1/4	
I2CM-1404		H2CM-1404	-14mm *1.5	-04 1/4	
I2CM-1604		H2CM-1604	-16mm *1.5	-04 1/4	
I2CM-1605		H2CM-1605	-16mm *1.5	-05 5/16	
I2CM-1606		H2CM-1606	-16mm *1.5	-06 3/8	
I2CM-1804		H2CM-1804	-18mm *1.5	-04 1/4	
I2CM-1806		H2CM-1806	-18mm *1.5	-06 3/8	
I2CM-1808		H2CM-1808	-18mm *1.5	-08 1/2	
I2CM-2206		H2CM-2206	-22mm *1.5	-06 3/8	
I2CM-2208		H2CM-2208	-22mm *1.5	-08 1/2	
I2CM-2608		H2CM-2608	-26mm *1.5	-08 1/2	
I2CM-2610		H2CM-2610	-26mm *1.5	-10 5/8	
I2CM-2612		H2CM-2612	-26mm *1.5	-12 3/4	
I2CM-3010		H2CM-3010	-30mm *2.0	-10 5/8	
I2CM-3012		H2CM-3012	-30mm *2.0	-12 3/4	
I2CM-3612		H2CM-3612	-36mm *2.0	-12 3/4	
I2CM-3616		H2CM-3616	-36mm *2.0	-16 1	
I2CM-4520		H2CM-4520	-45mm *2.0	-20 1.1/4	
I2CM-5224		H2CM-5224	-52mm *2.0	-24- 1.1/2	

I2D / H2D

METRIC DKS FEMALE

	Two piece	One piece	A-METRIC	B-Hose	H1
	I2D-1404	H2D-1404	-14mm *1.5	-04 1/4	
	I2D-1604	H2D-1604	-16mm *1.5	-04 1/4	
	I2D-1804	H2D-1804	-18mm *1.5	-04 1/4	
	I2D-1806	H2D-1806	-18mm *1.5	-06 3/8	
	I2D-2004	H2D-2004	-20mm *1.5	-04 1/4	
	I2D-2006	H2D-2006	-20mm *1.5	-06 3/8	
	I2D-2206	H2D-2206	-22mm *1.5	-06 3/8	
	I2D-2208	H2D-2208	-22mm *1.5	-08 1/2	
	I2D-2408	H2D-2408	-24mm *1.5	-08 1/2	
	I2D-3010	H2D-3010	-30mm *2.0	-10 5/8	
	I2D-3012	H2D-3012	-30mm *2.0	-12 3/4	
	I2D-3612	H2D-3612	-36mm *2.0	-12 3/4	
	I2D-3616	H2D-3616	-36mm *2.0	-16 1	
	I2D-4216	H2D-4216	-42mm *2.0	-16 1	
	I2D-5220	H2D-5220	-52mm *2.0	-20 1.1/4	

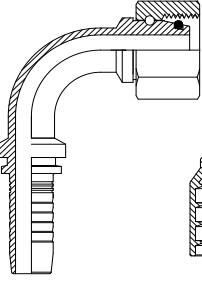
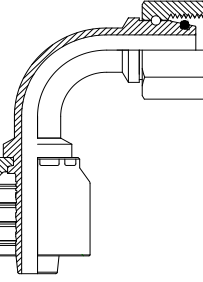
I2D4 / H2D4

METRIC DKS FEMALE 45° BEND

	Two piece	One piece	A-METRIC	B-Hose	H1
	I2D4-1404	H2D4-1404	-14mm *1.5	-04 1/4	
	I2D4-1604	H2D4-1604	-16mm *1.5	-04 1/4	
	I2D4-1804	H2D4-1804	-18mm *1.5	-04 1/4	
	I2D4-1806	H2D4-1806	-18mm *1.5	-06 3/8	
	I2D4-2006	H2D4-2006	-20mm *1.5	-06 3/8	
	I2D4-2206	H2D4-2206	-22mm *1.5	-06 3/8	
	I2D4-2208	H2D4-2208	-22mm *1.5	-08 1/2	
	I2D4-2408	H2D4-2408	-24mm *1.5	-08 1/2	
	I2D4-3010	H2D4-3010	-30mm *2.0	-10 5/8	
	I2D4-3012	H2D4-3012	-30mm *2.0	-12 3/4	
	I2D4-3612	H2D4-3612	-36mm *2.0	-12 3/4	
	I2D4-3616	H2D4-3616	-36mm *2.0	-16 1	
	I2D4-4216	H2D4-4216	-42mm *2.0	-16 1	
	I2D4-5220	H2D4-5220	-52mm *2.0	-20 1.1/4	

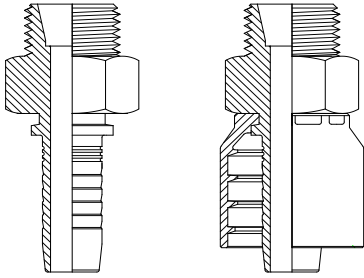
I2D9 / H2D9

METRIC DKS FEMALE 90° BEND

	Two piece	One piece	A-METRIC	B-Hose	H1
	I2D9-1404	H2D9-1404	-14mm *1.5	-04 1/4	
	I2D9-1604	H2D9-1604	-16mm *1.5	-04 1/4	
	I2D9-1804	H2D9-1804	-18mm *1.5	-06 3/8	
	I2D9-1806	H2D9-1806	-18mm *1.5	-06 3/8	
	I2D9-2004	H2D9-2004	-20mm *1.5	-04 1/4	
	I2D9-2006	H2D9-2006	-20mm *1.5	-06 3/8	
	I2D9-2206	H2D9-2206	-22mm *1.5	-06 3/8	
	I2D9-2208	H2D9-2208	-22mm *1.5	-08 1/2	
	I2D9-2408	H2D9-2408	-24mm *1.5	-08 1/2	
	I2D9-3010	H2D9-3010	-30mm *2.0	-10 5/8	
	I2D9-3012	H2D9-3012	-30mm *2.0	-12 3/4	
	I2D9-3612	H2D9-3612	-36mm *2.0	-12 3/4	
	I2D9-3616	H2D9-3616	-36mm *2.0	-16 1	
	I2D9-4216	H2D9-4216	-42mm *2.0	-16 1	
	I2D9-5220	H2D9-5220	-52mm *2.0	-20 1.1/4	

I2DM / H2DM

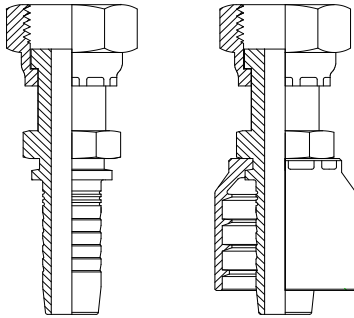
METRIC DKS MALE



	Two piece	One piece	A-METRIC	B-Hose	H1
	I2DM-1404	H2DM-1404	-14mm *1.5	-04 1/4	
	I2DM-1604	H2DM-1604	-16mm *1.5	-04 1/4	
	I2DM-1606	H2DM-1606	-16mm *1.5	-06 3/8	
	I2DM-1804	H2DM-1804	-18mm *1.5	-04 1/4	
	I2DM-1806	H2DM-1806	-18mm *1.5	-06 3/8	
	I2DM-2006	H2DM-2006	-20mm *1.5	-06 3/8	
	I2DM-2008	H2DM-2008	-20mm *1.5	-08 1/2	
	I2DM-2206	H2DM-2206	-22mm *1.5	-06 3/8	
	I2DM-2208	H2DM-2208	-22mm *1.5	-08 1/2	
	I2DM-2408	H2DM-2408	-24mm *1.5	-08 1/2	
	I2DM-3010	H2DM-3010	-30mm *2.0	-10 5/8	
	I2DM-3012	H2DM-3012	-30mm *2.0	-12 3/4	
	I2DM-3612	H2DM-3612	-36mm *2.0	-12 3/4	
	I2DM-3616	H2DM-3616	-36mm *2.0	-16 1	
	I2DM-4216	H2DM-4216	-42mm *2.0	-16 1	
	I2DM-5220	H2DM-5220	-52mm *2.0	-20 1.1/4	

I2E / H2E

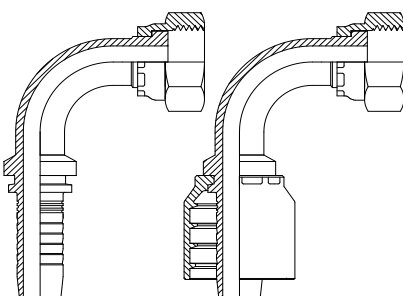
METRIC FLAT FACE FEMALE



	Two piece	One piece	A-METRIC	B-Hose	H1
	I2E-1806	H2E-1806	-18mm *1.5	-06 3/8	
	I2E-2408	H2E-2408	-24mm *1.5	-08 1/2	

I2E9 / H2E9

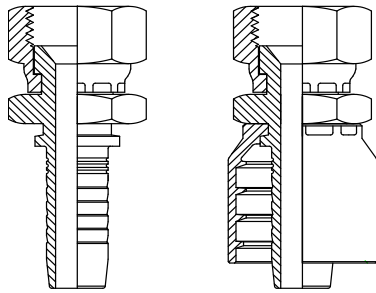
METRIC FLAT FACE FEMALE 90° BEND



	Two piece	One piece	A-METRIC	B-Hose	H1
	I2E9-1806	H2E9-1806	-18mm *1.5	-06 3/8	
	I2E9-2408	H2E9-2408	-24mm *1.5	-08 1/2	

I2K / H2K

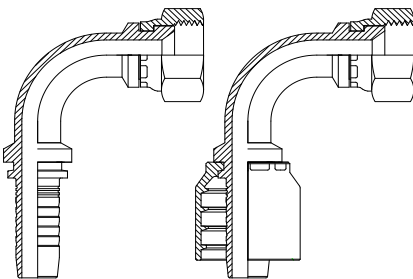
JIS (KOMATSU) FEMALE (METRIC X 60° SEAT)



	Two piece	One piece	A-JIS	B-Hose
I2K-1204		H2K-1204	-12mm *1.5	-04 1/4
I2K-1404		H2K-1404	-14mm *1.5	-04 1/4
I2K-1406		H2K-1406	-14mm *1.5	-06 3/8
I2K-1606		H2K-1606	-16mm *1.5	-06 3/8
I2K-1806		H2K-1806	-18mm *1.5	-06 3/8
I2K-1808		H2K-1808	-18mm *1.5	-08 1/2
I2K-2008		H2K-2008	-20mm *1.5	-08 1/2
I2K-2206		H2K-2206	-22mm *1.5	-06 3/8
I2K-2208		H2K-2208	-22mm *1.5	-08 1/2
I2K-2408		H2K-2408	-24mm *1.5	-08 1/2
I2K-2410		H2K-2410	-24mm *1.5	-10 5/8
I2K-2412		H2K-2412	-24mm *1.5	-12 3/4
I2K-2610		H2K-2610	-26mm *1.5	-10 5/8
I2K-3010		H2K-3010	-30mm *1.5	-10 5/8
I2K-3012		H2K-3012	-30mm *1.5	-12 3/4
I2K-3312		H2K-3312	-33mm *1.5	-12 3/4
I2K-3316		H2K-3316	-33mm *1.5	-16 1
I2K-3616		H2K-3616	-36mm *1.5	-16 1
I2K-3620		H2K-3620	-36mm *1.5	-20 1/1.4
I2K-4220		H2K-4220	-42mm *1.5	-20 1.1/4

I2K9 / H2K9

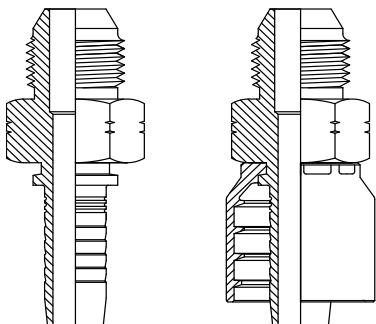
JIS (KOMATSU) FEM (METRIC X 60° SEAT) 90° BEND



	Two piece	One piece	A-JIS	B-Hose
I2K9-1404		H2K9-1404	-14mm *1.5	-04 1/4
I2K9-1606		H2K9-1606	-16mm *1.5	-06 3/8
I2K9-1806		H2K9-1806	-20mm *1.5	-06 3/8
I2K9-2006		H2K9-2006	-20mm *1.5	-06 3/8
I2K9-2008		H2K9-2008	-20mm *1.5	-08 1/2
I2K9-2208		H2K9-2208	-22mm *1.5	-08 1/2

I2KM / H2KM

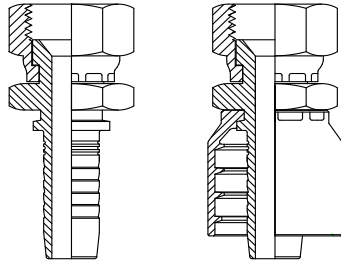
JIS (KOMATSU) MALE (METRIC X 60° SEAT)



	Two piece	One piece	A-JIS	B-Hose
I2KM-1404		H2KM-1404	-14mm *1.5	-04 1/4
I2KM-1606		H2KM-1606	-16mm *1.5	-06 3/8
I2KM-1806		H2KM-1806	-18mm *1.5	-06 3/8
I2KM-2008		H2KM-2008	-20mm *1.5	-08 1/2
I2KM-2208		H2KM-2208	-22mm *1.5	-08 1/2
I2KM-2408		H2KM-2408	-24mm *1.5	-08 1/2
I2KM-2410		H2KM-2410	-24mm *1.5	-10 5/8
I2KM-3012		H2KM-3012	-30mm *1.5	-12 3/4
I2KM-3316		H2KM-3316	-33mm *1.5	-16 1

I2S / H2S

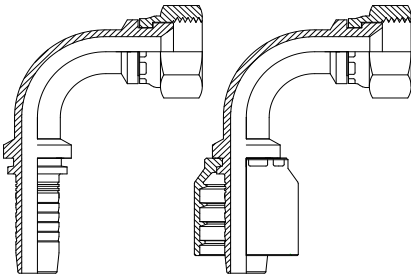
JIS FEMALE (BSPP X 60° SEAT)



Two piece	One piece	A-JIS	B-Hose
I2S-0404	H2S-0404	-04 1/4-19	-04 1/4
I2S-0604	H2S-0604	-06 3/8-19	-04 1/4
I2S-0606	H2S-0606	-06 3/8-19	-06 3/8
I2S-0806	H2S-0806	-08 1/2-14	-06 3/8
I2S-0808	H2S-0808	-08 1/2-14	-08 1/2
I2S-1010	H2S-1010	-10 5/8-14	-10 5/8
I2S-1212	H2S-1212	-12 3/4-14	-12 3/4
I2S-1616	H2S-1616	-16 1-11	-16 1
I2S-2020	H2S-2020	-20 1.1/4-11	-20 1.1/4
I2S-2424	H2S-2424	-24 1.1/2-11	-24 1.1/2

I2S9 / H2S9

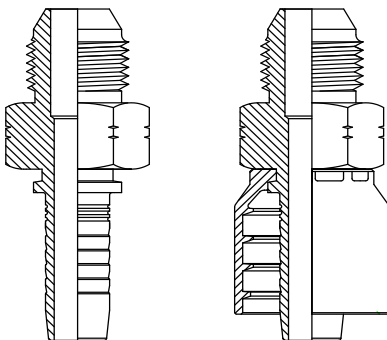
JIS FEMALE (BSPP X 60° SEAT) 90° BEND



Two piece	One piece	A-JIS	B-Hose
I2S9-0404	H2S9-0404	-04 1/4-19	-04 1/4
I2S9-0604	H2S9-0604	-06 3/8-19	-04 1/4
I2S9-0606	H2S9-0606	-06 3/8-19	-06 3/8

I2SM / H2SM

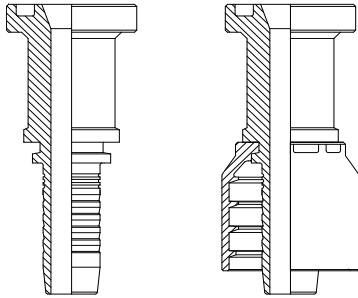
JIS MALE (BSPP X 60° SEAT)



Two piece	One piece	A-JIS	B-Hose
I2SM-0606	H2SM-0606	-06 3/8-19	-06 3/8
I2SM-0808	H2SM-0808	-08 1/2-14	-08 1/2

I2FL / H2FL

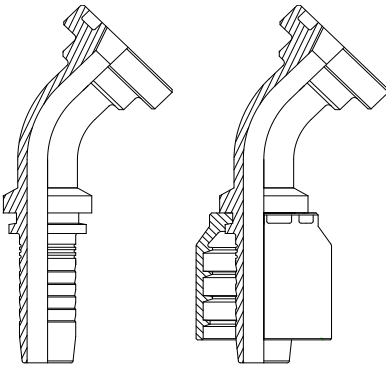
SAE FLANGE CD61



	Two piece	One piece	A-FLANGE	B-Hose	H1
I2FL-0808		H2FL-0808	-08 1/2	-08 1/2	
I2FL-1208		H2FL-1208	-12 3/4	-08 1/2	
I2FL-1210		H2FL-1210	-12 3/4	-10 5/8	
I2FL-1212		H2FL-1212	-12 3/4	-12 3/4	
I2FL-1612		H2FL-1612	-16 1	-12 3/4	
I2FL-1616		H2FL-1616	-16 1	-16 1	
I2FL-1620		H2FL-1620	-16 1	-20 1.1/4	
I2FL-2016		H2FL-2016	-20 1.1/4	-16 1	
I2FL-2020		H2FL-2020	-20 1.1/4	-20 1.1/4	
I2FL-2416		H2FL-2416	-24 1.1/2	-16 1	
I2FL-2420		H2FL-2420	-24 1.1/2	-20 1.1/4	
I2FL-2424			-24 1.1/2	-24 1.1/2	
I2FL-3224			-32 2	-24 1.1/2	
I2FL-3232			-32 2	-32 2	

I2FL4 / H2FL4

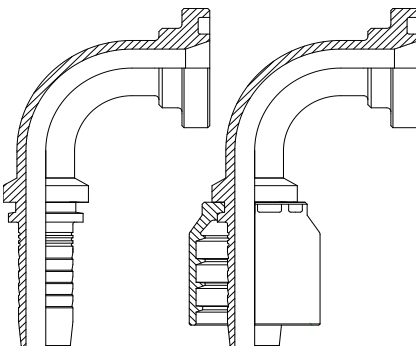
SAE FLANGE CD61 45°



	Two piece	One piece	A-FLANGE	B-Hose	H1
I2FL4-0808		H2FL4-0808	-08 1/2	-08 1/2	
I2FL4-1208		H2FL4-1208	-12 3/4	-08 1/2	
I2FL4-1210		H2FL4-1210	-12 3/4	-10 5/8	
I2FL4-1212		H2FL4-1212	-12 3/4	-12 3/4	
I2FL4-1612		H2FL4-1612	-16 1	-12 3/4	
I2FL4-1616		H2FL4-1616	-16 1	-16 1	
I2FL4-2016		H2FL4-2016	-20 1.1/4	-16 1	
I2FL4-2020		H2FL4-2020	-20 1.1/4	-20 1.1/4	
I2FL4-2416		H2FL4-2416	-24 1.1/2	-16 1	
I2FL4-2420		H2FL4-2420	-24 1.1/2	-20 1.1/4	
I2FL4-2424			-24 1.1/2	-24 1.1/2	
I2FL4-3224			-32 2	-24 1.1/2	
I2FL4-3232			-32 2	-32 2	

I2FL9 / H2FL9

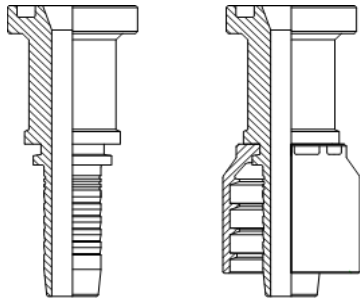
SAE FLANGE CD61 90°



	Two piece	One piece	A-FLANGE	B-Hose	H1
I2FL9-0808		H2FL9-0808	-08 1/2	-08 1/2	
I2FL9-1208		H2FL9-1208	-12 3/4	-08 1/2	
I2FL9-1210		H2FL9-1210	-12 3/4	-10 5/8	
I2FL9-1212		H2FL9-1212	-12 3/4	-12 3/4	
I2FL9-1612		H2FL9-1612	-16 1	-12 3/4	
I2FL9-1616		H2FL9-1616	-16 1	-16 1	
I2FL9-2016		H2FL9-2016	-20 1.1/4	-16 1	
I2FL9-2020		H2FL9-2020	-20 1.1/4	-20 1.1/4	
I2FL9-2416		H2FL9-2416	-24 1.1/2	-16 1	
I2FL9-2420		H2FL9-2420	-24 1.1/2	-20 1.1/4	
I2FL9-2424			-24 1.1/2	-24 1.1/2	
I2FL9-3224			-32 2	-24 1.1/2	
I2FL9-3232			-32 2	-32 2	

I2FLH / H2FLH

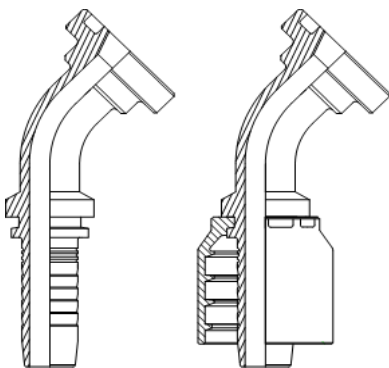
SAE FLANGE CD62



	Two piece	One piece	A-FLANGE	B-Hose	H1
	I2FLH-0808	H2FLH-0808	-08 1/2	-08 1/2	
	I2FLH-1208	H2FLH-1208	-12 3/4	-08 1/2	
	I2FLH-1210	H2FLH-1210	-12 3/4	-10 5/8	
	I2FLH-1212	H2FLH-1212	-12 3/4	-12 3/4	
	I2FLH-1612	H2FLH-1612	-16 1	-12 3/4	
	I2FLH-1616	H2FLH-1616	-16 1	-16 1	
	I2FLH-2016	H2FLH-2016	-20 1.1/4	-16 1	
	I2FLH-2020	H2FLH-2020	-20 1.1/4	-20 1.1/4	
	I2FLH-2420	H2FLH-2420	-24 1.1/2	-20 1.1/4	
	I2FLH-2424		-24 1.1/2	-24 1.1/2	
	I2FLH-3224		-32 2	-24 1.1/2	
	I2FLH-3232		-32 2	-32 2	

I2FLH4/H2FLH4

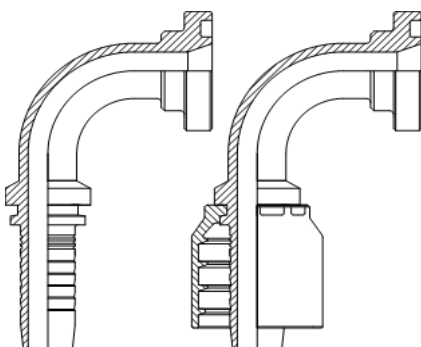
SAE FLANGE CD62 45°



	Two piece	One piece	A-FLANGE	B-Hose	H1
	I2FLH4-0808	H2FLH4-0808	-08 1/2	-08 1/2	
	I2FLH4-1208	H2FLH4-1208	-12 3/4	-08 1/2	
	I2FLH4-1210	H2FLH4-1210	-12 3/4	-10 5/8	
	I2FLH4-1212	H2FLH4-1212	-12 3/4	-12 3/4	
	I2FLH4-1612	H2FLH4-1612	-16 1	-12 3/4	
	I2FLH4-1616	H2FLH4-1616	-16 1	-16 1	
	I2FLH4-2016	H2FLH4-2016	-20 1.1/4	-16 1	
	I2FLH4-2020	H2FLH4-2020	-20 1.1/4	-20 1.1/4	
	I2FLH4-2420	H2FLH4-2420	-24 1.1/2	-20 1.1/4	
	I2FLH4-2424		-24 1.1/2	-24 1.1/2	
	I2FLH4-3224		-32 2	-24 1.1/2	
	I2FLH4-3232		-32 2	-32 2	

I2FLH9/H2FLH9

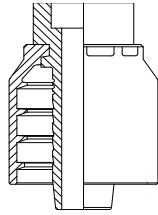
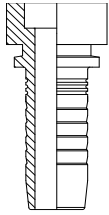
SAE FLANGE CD62 90°



	Two piece	One piece	A-FLANGE	B-Hose	H1
	I2FLH9-0808	H2FLH9-0808	-08 1/2	-08 1/2	
	I2FLH9-1208	H2FLH9-1208	-12 3/4	-08 1/2	
	I2FLH9-1210	H2FLH9-1210	-12 3/4	-10 5/8	
	I2FLH9-1212	H2FLH9-1212	-12 3/4	-12 3/4	
	I2FLH9-1612	H2FLH9-1612	-16 1	-12 3/4	
	I2FLH9-1616	H2FLH9-1616	-16 1	-16 1	
	I2FLH9-2016	H2FLH9-2016	-20 1.1/4	-16 1	
	I2FLH9-2020	H2FLH9-2020	-20 1.1/4	-20 1.1/4	
	I2FLH9-2420	H2FLH9-2420	-24 1.1/2	-20 1.1/4	
	I2FLH9-2424		-24 1.1/2	-24 1.1/2	
	I2FLH9-3224		-32 2	-24 1.1/2	
	I2FLH9-3232		-32 2	-32 2	

I2W / H2W

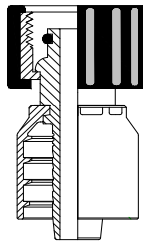
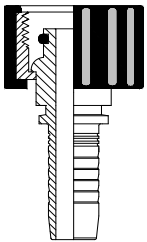
WELD-ON (LIFESAVER)



Two piece	One piece	A-WELD ON	B-Hose
I2W-0404	H2W-0404	-04 1/4	-04 1/4
I2W-0504	H2W-0504	-05 5/16	-04 1/4
I2W-0604	H2W-0604	-06 3/8	-04 1/4
I2W-0606	H2W-0606	-06 3/8	-06 3/8
I2W-0806	H2W-0806	-08 1/2	-06 3/8
I2W-0808	H2W-0808	-08 1/2	-08 1/2
I2W-1008	H2W-1008	-10 5/8	-08 1/2
I2W-1010	H2W-1010	-10 5/8	-10 5/8
I2W-1210	H2W-1210	-12 3/4	-10 5/8
I2W-1212	H2W-1212	-12 3/4	-12 3/4
I2W-1616	H2W-1616	-16 1	-16 1
I2W-2020	H2W-2020	-20 1.1/4	-20 1.1/4

I2KW / H2KW

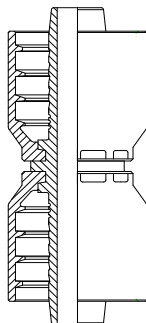
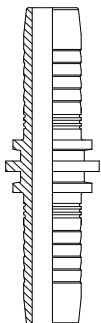
PRESSURE WASHER



Two piece	One piece	A-JIS	B-Hose
I2KW-2204	H2KW-2204	-22mm *1.5	-04 1/4
I2KW-2205	H2KW-2205	-22mm *1.5	-05 5/16
I2KW-2206	H2KW-2206	-22mm *1.5	-06 3/8

I2HJ / H2HJ

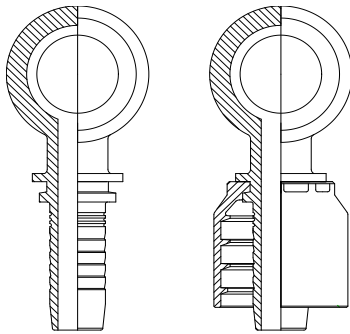
HOSE JOINER



Two piece	One piece	A-Hose	B-Hose	H1
I2HJ-0404	H2HJ-0404	-04 1/4	-04 1/4	
I2HJ-0505	H2HJ-0505	-05 5/16	-05 5/16	
I2HJ-0606	H2HJ-0606	-06 3/8	-06 3/8	
I2HJ-0808	H2HJ-0808	-08 1/2	-08 1/2	
I2HJ-1010	H2HJ-1010	-10 5/8	-10 5/8	
I2HJ-1212	H2HJ-1212	-12 3/4	-12 3/4	
I2HJ-1616	H2HJ-1616	-16 1	-16 1	
I2HJ-2020	H2HJ-2020	-20 1.1/4	-20 1.1/4	
I2HJ-2424		-24 1.1/2	-24 1.1/2	
I2HJ-3232		-32 2	-32 2	

I2I / H2I

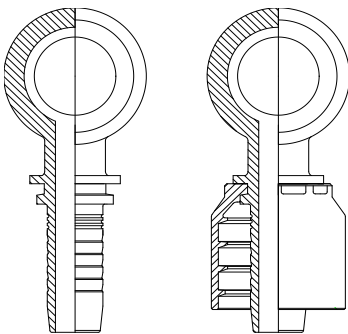
BANJO METRIC



	Two piece	One piece	A-BANJO	B-Hose	H1
I2I-1004		H2I-1004	-10mm	-04 1/4	
I2I-1204		H2I-1204	-12mm	-04 1/4	
I2I-1206		H2I-1206	-12mm	-06 3/8	
I2I-1404		H2I-1404	-14mm	-04 1/4	
I2I-1405		H2I-1405	-14mm	-05 5/16	
I2I-1406		H2I-1406	-14mm	-06 3/8	
I2I-1604		H2I-1604	-16mm	-04 1/4	
I2I-1606		H2I-1606	-16mm	-06 3/8	
I2I-1806		H2I-1806	-18mm	-06 3/8	
I2I-1808		H2I-1808	-18mm	-08 1/2	
I2I-2208		H2I-2208	-22mm	-08 1/2	
I2I-2210		H2I-2210	-22mm	-10 5/8	
I2I-2610		H2I-2610	-26mm	-10 5/8	
I2I-2612		H2I-2612	-26mm	-12 3/4	
I2I-3016		H2I-3016	-30mm	-16 1	

I2IB / H2IB

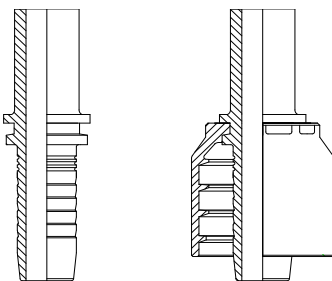
BANJO BSP



	Two piece	One piece	A-BANJO	B-Hose	H1
I2IB-0404		H2IB-0404	-04 1/4	-04 1/4	
I2IB-0606		H2IB-0606	-06 3/8	-06 3/8	
I2IB-0806		H2IB-0806	-08 1/2	-06 3/8	
I2IB-0808		H2IB-0808	-08 1/2	-08 1/2	
I2IB-1210		H2IB-1210	-12 3/4	-10 5/8	
I2IB-1212		H2IB-1212	-12 3/4	-12 3/4	
I2IB-1616		H2IB-1616	-16 1	-16 1	

I2IS / H2IS

METRIC STANDPIPE



	Two piece	One piece	A-Hose	B-Hose	H1
I2IS-0604		H2IS-0604	-06mm	-04 1/4	
I2IS-0804		H2IS-0804	-08mm	-04 1/4	
I2IS-1004		H2IS-1004	-10mm	-04 1/4	
I2IS-1006		H2IS-1006	-10mm	-06 3/8	
I2IS-1206		H2IS-1206	-12mm	-06 3/8	
I2IS-1406		H2IS-1406	-14mm	-06 3/8	
I2IS-1508		H2IS-1508	-15mm	-08 1/2	
I2IS-1608		H2IS-1608	-16mm	-08 1/2	
I2IS-1610		H2IS-1610	-16mm	-10 5/8	
I2IS-1810		H2IS-1810	-18mm	-10 5/8	
I2IS-2010		H2IS-2010	-20mm	-10 5/8	
I2IS-2012		H2IS-2012	-20mm	-12 3/4	
I2IS-2212		H2IS-2212	-22mm	-12 3/4	
I2IS-2512		H2IS-2512	-25mm	-12 3/4	

ONE-PIECE SPIRAL HOSE FITTINGS

H6B

BSP Female

One piece	A-BSP	B-Hose	H1
H6B-1212			
H6B-1616			
H6B-2020			

H6BH

BSP Female Heavy Duty

One piece	A-BSP	B-Hose	H1
H6B-1212			
H6B-1616			
H6B-2020			

H6B

BSP Female

One piece	A-BSP	B-Hose	H1
H6B-1212			
H6B-1616			
H6BH-1616	Heavy Duty		
H6B-2020			
H6B-2424			
H6B-3232			

H6B4

BSP Female 45° BEND

One piece	A-BSP	B-Hose	H1
H6B-1212			
H6B-1616			
H6B-2020			

H6B9

BSP Female

One piece	A-BSP	B-Hose	H1
H6B-1212			
H6B-1616			
H6B-2020			

H6J

BSP Female

	One piece	A-BSP	B-Hose	H1
	H6B-1212			
	H6B-1616			
	H6B-2020			

H6J4 **BSP Female 45° BEND**

	One piece	A-BSP	B-Hose	H1
	H6B-1212			
	H6B-1616			
	H6B-2020			

H6J9 **BSP Female**

	One piece	A-BSP	B-Hose	H1
	H6B-1212			
	H6B-1616			
	H6B-2020			

H6D **BSP Female**

	One piece	A-BSP	B-Hose	H1
	H6B-1212			
	H6B-1616			
	H6B-2020			

H6D4 **BSP Female 45° BEND**

	One piece	A-BSP	B-Hose	H1
	H6B-1212			
	H6B-1616			
	H6B-2020			

H6D9 **BSP Female**

	One piece	A-BSP	B-Hose	H1
	H6B-1212			
	H6B-1616			

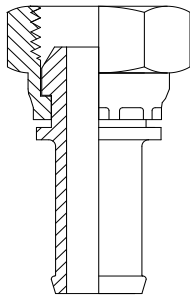


H6B-2020

SUCTION HOSE FITTINGS

I7B

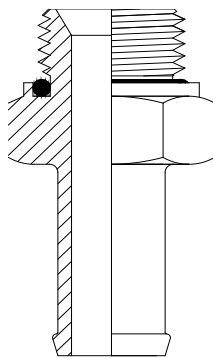
BSPP FEMALE SUCTION



Item No	A-BSPP	B-HOSE	L
I7B-1212	-12 3/4-14	-12 3/4	
I7B-1616	-16 1-11	-16 1	55.5
I7B-2020	-20 1.1/4-11	-20 1.1/4	
I7B-2424	-24 1.1/2-11	-24 1.1/2	
I7B-3232	-32 2-11	-32 2	61.6

I7G

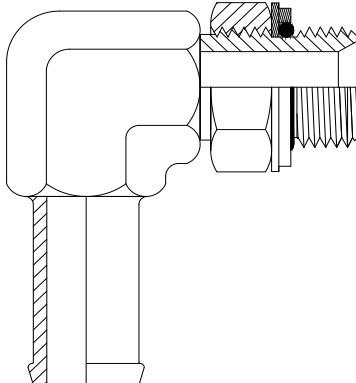
BSPP MALE SUCTION



Item No	A-BSPP	B-HOSE	L
I7G-0812	-08 1/2-14	-12 3/4	
I7G-1212	-12 3/4-14	-12 3/4	66.6
I7G-1216	-12 3/4-14	-16 1	66.6
I7G-1220	-12 3/4-14	-20 1.1/4	66.6
I7G-1616	-16 1-11	-16 1	70.6
I7G-1620	-16 1-11	-20 1.1/4	70.6
I7G-1624	-16 1-11	-24 1.1/2	70.6
I7G-2012	-20 1.1/4-11	-12 3/4	73.6
I7G-2016	-20 1.1/4-11	-16 1	73.6
I7G-2020	-20 1.1/4-11	-20 1.1/4	73.6
I7G-2024	-20 1.1/4-11	-24 1.1/2	73.6
I7G-2416	-24 1.1/2-11	-16 1	75.6
I7G-2420	-24 1.1/2-11	-20 1.1/4	75.6
I7G-2424	-24 1.1/2-11	-24 1.1/2	75.6
I7G-3232	-32 2	-32 2	78.5

I7G9

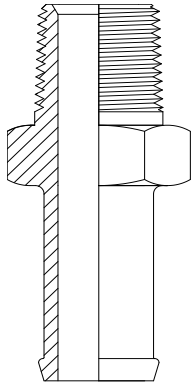
BSPP 90° ELBOW SUCTION



Item No	A-BSPP	B-HOSE	L
I7G9-0612	-06 3/8-19	-12 3/4	
I7G9-0812	-08 1/2-14	-12 3/4	
I7G9-0816	-08 1/2-14	-16 1	
I7G9-1212	-12 3/4-14	-12 3/4	55.4
I7G9-1216	-12 3/4-14	-16 1	55.4
I7G9-1220	-12 3/4-14	-20 1.1/4	60.6
I7G9-1616	-16 1-11	-16 1	60.6
I7G9-1620	-16 1-11	-20 1.1/4	60.6
I7G9-1624	-16 1-11	-24 1.1/2	63.7
I7G9-2016	-20 1.1/4-11	-16 1	
I7G9-2020	-20 1.1/4-11	-20 1.1/4	65.6
I7G9-2024	-20 1.1/4-11	-24 1.1/2	63.7
I7G9-2420	-24 1.1/2-11	-20 1.1/4	63.7
I7G9-2424	-24 1.1/2-11	-24 1.1/2	71.6

I7T

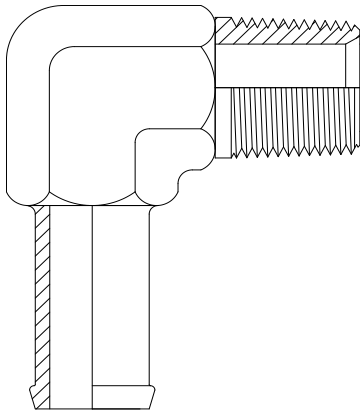
BSPT MALE SUCTION



Item No	A-BSPT	B-HOSE	L
I7T-0808	-08 1/2-14	-08 1/2	63.6
I7T-0812	-08 1/2-14	-12 3/4	63.6
I7T-0816	-08 1/2-14	-16 1	64
I7T-1212	-12 3/4-14	-12 3/4	65
I7T-1216	-12 3/4-14	-16 1	65
I7T-1220	-12 3/4-14	-20 1.1/4	67.2
I7T-1612	-16 1-11	-12 3/4	71.5
I7T-1616	-16 1-11	-16 1	71.5
I7T-1620	-16 1-11	-20 1.1/4	71.5
I7T-1624	-16 1-11	-24 1.1/2	72.6
I7T-2016	-20 1.1/4-11	-16 1	74.6
I7T-2020	-20 1.1/4-11	-20 1.1/4	74.6
I7T-2024	-20 1.1/4-11	-24 1.1/2	74.6
I7T-2416	-24 1.1/2-11	-16 1	76.2
I7T-2420	-24 1.1/2-11	-20 1.1/4	76.2
I7T-2424	-24 1.1/2-11	-24 1.1/2	76.2
I7T-2432	-24 1.1/2-11	-32 2	76.2
I7T-3232	-32 2-11	-32 2	80.6
I7T-3240	-32 2-11	-40 2.1/2	102.6

I7T9

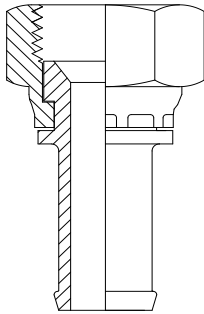
BSPT 90° ELBOW SUCTION



Item No	A-BSPT	B-HOSE	L
I7T9-0808	-08 1/2-14	-08 1/2	52.3
I7T9-0812	-08 1/2-14	-12 3/4	52.3
I7T9-0816	-08 1/2-14	-16 1	55.4
I7T9-1212	-12 3/4-14	-12 3/4	55.4
I7T9-1216	-12 3/4-14	-16 1	55.4
I7T9-1220	-12 3/4-14	-20 1.1/4	60.6
I7T9-1612	-16 1-11	-12 3/4	60.6
I7T9-1616	-16 1-11	-16 1	60.6
I7T9-1620	-16 1-11	-20 1.1/4	60.6
I7T9-1624	-16 1-11	-24 1.1/2	63.7
I7T9-2012	-20 1.1/4-11	-12 3/4	65.6
I7T9-2016	-20 1.1/4-11	-16 1	65.6
I7T9-2020	-20 1.1/4-11	-20 1.1/4	65.6
I7T9-2024	-20 1.1/4-11	-24 1.1/2	65.6
I7T9-2032	-20 1.1/4-11	-32 2	75.1
I7T9-2420	-24 1.1/2-11	-20 1.1/4	71.6
I7T9-2424	-24 1.1/2-11	-24 1.1/2	71.6
I7T9-2432	-24 1.1/2-11	-32 2	77
I7T9-3232	-32 2-11	-32 2	77.0

I7J

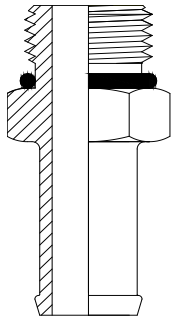
JIC FEMALE SUCTION



Item No	A-JIC	B-HOSE	L
I7J-1712	-17 1.1/16-12	-12 3/4	
I7J-1716	-17 1.1/16-12	-16 1	51.7
I7J-2116	-21 1.1.5/16-12	-16 1	
I7J-2620	-26 1.5/8-12	-20 1.1/4	

I7O

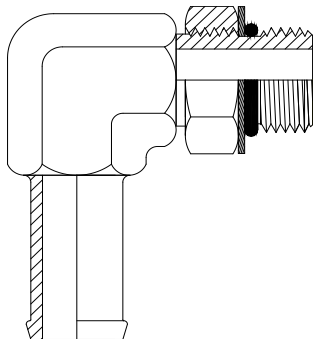
UNO MALE SUCTION



Item No	A-UN ORB	B-HOSE	L
I7O-1412	-14 7/8-14	-12 3/4	58.8
I7O-1416	-14 7/8-14	-16 1	
I7O-1712	-17 1.1/16-12	-12 3/4	62.7
I7O-1716	-17 1.1/16-12	-16 1	62.7
I7O-1720	-17 1.1/16-12	-20 1.1/4	63.6
I7O-1724	-17 1.1/16-12	-24 1.1/2	63.2
I7O-2112	-21 1.5/16-12	-12 3/4	
I7O-2116	-21 1.5/16-12	-16 1	63.3
I7O-2120	-21 1.5/16-12	-20 1.1/4	63.3
I7O-2124	-21 1.5/16-12	-24 1.1/2	63.2
I7O-2620	-26 1.5/8-12	-20 1.1/4	63.3
I7O-2624	-26 1.5/8-12	-24 1.1/2	63.2
I7O-3024	-30 1.7/8-12	-24 1.1/2	67.2
I7O-3032	-30 1.7/8-12	-32 2	

I7O9

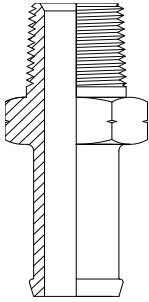
UNO 90° ELBOW SUCTION



Item No	A-UN ORB	B-HOSE	L
I7O9-1212	-12 3/4-16	-12 3/4	
I7O9-1412	-14 7/8-14	-12 3/4	55.4
I7O9-1712	-17 1.1/16-12	-12 3/4	55.4
I7O9-1716	-17 1.1/16-12	-16 1	55.4
I7O9-1720	-17 1.1/16-12	-20 1.1/4	60.6
I7O9-2112	-21 1.5/16-12	-12 3/4	60.6
I7O9-2116	-21 1.5/16-12	-16 1	60.6
I7O9-2120	-21 1.5/16-12	-20 1.1/4	60.6
I7O9-2124	-21 1.5/16-12	-24 1.1/2	63.7
I7O9-2620	-26 1.5/8-12	-20 1.1/4	65.6
I7O9-2624	-26 1.5/8-12	-24 1.1/2	65.6
I7O9-3024	-30 1.7/8-12	-24 1.1/2	71.6

I7N

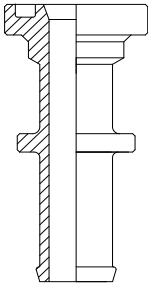
NPT MALE SUCTION



Item No	A-NPT	B-HOSE	L
I7N-1212	-12 3/4-14	-12 3/4	65.0
I7N-1216	-12 3/4-14	-16 1	65.0
I7N-1220	-12 3/4-14	-20 1.1/4	
I7N-1616	-16 1-11.5	-16 1	71.5
I7N-2020	-20 1.1/4-11.5	-20 1.1/4	74.6
I7N-2024	-20 1.1/4-11.5	-24 1.1/2	74.6
I7N-2424		-24 1.1/2	

I7FL

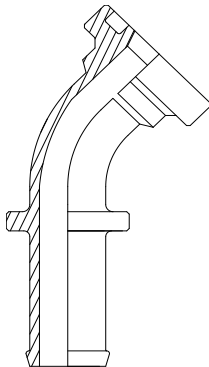
SAE FLANGE CD61 SUCTION



Item No	A-SAE	B-HOSE
I7FL-3232	-32 2	-32 2

I7FL4

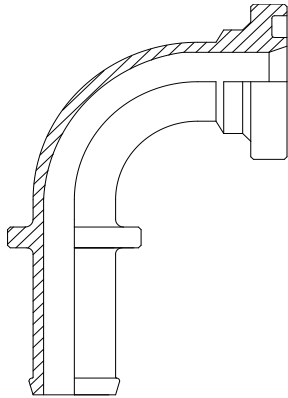
SAE FLANGE CD61 45° BEND SUCTION



Item No	A-SAE	B-HOSE
I7FL4-3232	-32 2	-32 2

I7FL9

SAE FLANGE CD61 90° BEND SUCTION

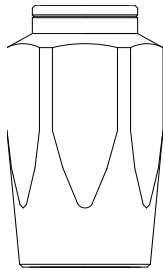


Item No	A-SAE	B-HOSE
I7FL9-3232	-32 2	-32 2
I7FL9-4032	-32 2	-32 2

F / A HOSE FITTINGS

RN1

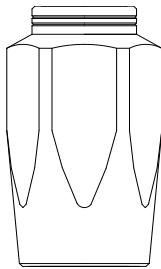
FERRULE FIELD ATTACHABLE ONE WIRE



Item No	B-HOSE	H1
RN1-04	-04 1/4	
RN1-06	-06 3/8	
RN1-08	-08 1/2	
RN1-12	-12 3/4	
RN1-16	-16 1	

RN2

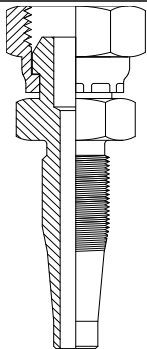
FERRULE FIELD ATTACHABLE TWO WIRE



Item No	B-HOSE	H1
RN2-04	-04 1/4	
RN2-06	-06 3/8	
RN2-08	-08 1/2	
RN2-12	-12 3/4	
RN2-16	-16 1	

I8B

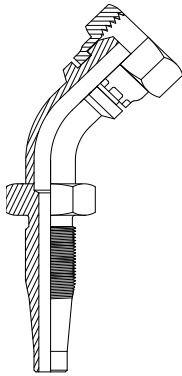
BSPP FEMALE F/A



Item No	A-BSPP	B-HOSE	H1
I8B-0204	-02 1/8-28	-04 1/4	14
I8B-0404	-04 1/4-19	-04 1/4	16
I8B-0406	-04 1/4-19	-06 3/8	19
I8B-0604	-06 3/8-19	-04 1/4	19
I8B-0606	-06 3/8-19	-06 3/8	19
I8B-0608	-06 3/8-19	-08 1/2	22
I8B-0806	-08 1/2-14	-06 3/8	22
I8B-0808	-08 1/2-14	-08 1/2	22
I8B-1208	-12 3/4-14	-08 1/2	27
I8B-1212	-12 3/4-14	-12 3/4	27
I8B-1612	-16 1-11	-12 3/4	36
I8B-1616	-16 1-11	-16 1	36

I8B4

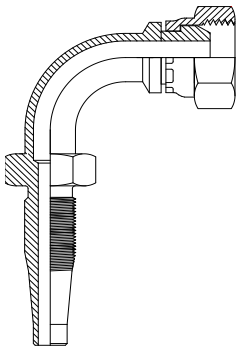
BSPP 45° FEMALE SWEPT BEND F/A



Item No	A-BSPP	B-HOSE	H1
I8B4-0404	-04 1/4-19	-04 1/4	14
I8B4-0606	-06 3/8-19	-06 3/8	17
I8B4-0808	-08 1/2-14	-08 1/2	22
I8B4-1212	-12 3/4-14	-12 3/4	27
I8B4-1616	-16 1-11	-16 1	36

I8B9

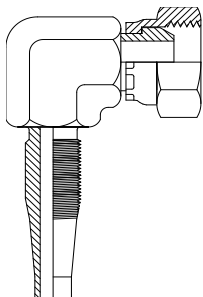
BSPP FEMALE 90° BEND F/A



Item No	A-BSPP	B-HOSE	H1
I8B9-0404	-04 1/4-19	-04 1/4	14
I8B9-0606	-06 3/8-19	-06 3/8	17
I8B9-0806	-08 1/2-14	-06 3/8	22
I8B9-0808	-08 1/2-14	-08 1/2	22
I8B9-1212	-12 3/4-14	-12 3/4	27
I8B9-1616	-16 1-11	-16 1	36

I8B9C

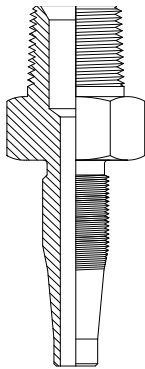
BSPP FEMALE 90° COMPACT ELBOW F/A



Item No	A-BSPP	B-HOSE	H1
I8B9C-0404	-04 1/4-19	-04 1/4	19
I8B9C-0606	-06 3/8-19	-06 3/8	22
I8B9C-0806	-08 1/2-14	-06 3/8	22
I8B9C-0808	-08 1/2-14	-08 1/2	27
I8B9C-1212	-12 3/4-14	-12 3/4	32
I8B9C-1616	-16 1-11	-16 1	38

I8T

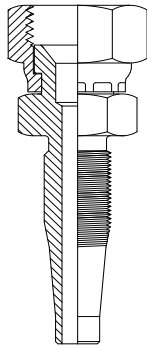
BSPT MALE F/A



Item No	A-BSPT	B-HOSE	H1
I8T-0204	-02 1/8-28	-04 1/4	14
I8T-0404	-04 1/4-19	-04 1/4	17
I8T-0406	-04 1/4-19	-06 3/8	19
I8T-0604	-06 3/8-19	-04 1/4	19
I8T-0606	-06 3/8-19	-06 3/8	19
I8T-0608	-06 3/8-19	-08 1/2	22
I8T-0806	-08 1/2-14	-06 3/8	22
I8T-0808	-08 1/2-14	-08 1/2	22
I8T-1212	-12 3/4-14	-12 3/4	30
I8T-1616	-16 1-11	-16 1	36

I8J

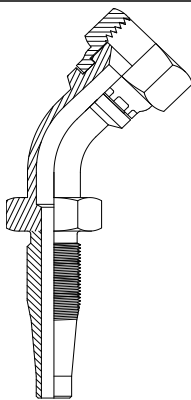
JIC FEMALE F/A



Item No	A-JIC	B-HOSE	L
I8J-0703	-07 7/16-20	-03 3/16	
I8J-0704	-07 7/16-20	-04 1/4	56.8
I8J-0804	-08 1/2-20	-04 1/4	57.3
I8J-0904	-09 9/16-18	-04 1/4	59.5
I8J-0906	-09 9/16-18	-06 3/8	65
I8J-1206	-12 3/4-16	-06 3/8	65.9
I8J-1208	-12 3/4-16	-08 1/2	68.4
I8J-1406	-14 7/8-14	-06 3/8	66
I8J-1408	-14 7/8-14	-08 1/2	68.5
I8J-1708	-17 1.1/16-12	-08 1/2	72
I8J-1712	-17 1.1/16-12	-12 3/4	83.8
I8J-2112	-21 1.5/16-12	-12 3/4	86.6
I8J-2116	-21 1.5/16-12	-16 1	98
H8J-0703B1	-07 7/16-20	-03 3/16	BRASS c/w Ferrule

I8J4

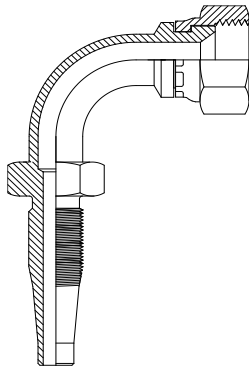
JIC MALE 45° SWEPT F/A



Item No	A-JIC	B-HOSE	H1
I8J4-0704	-07 7/16-20	-04 1/4	14
I8J4-0804	-08 1/2-20	-04 1/4	
I8J4-0904	-09 9/16-18	-04 1/4	14
I8J4-0906	-09 9/16-18	-06 3/8	17
I8J4-1206	-12 3/4-16	-06 3/8	19
I8J4-1208	-12 3/4-16	-08 1/2	22
I8J4-1408	-14 7/8-14	-08 1/2	
I8J4-1712	-17 1.1/16-12	-12 3/4	27
I8J4-2112	-21 1.5/16-12	-12 3/4	
I8J4-2116	-21 1.5/16-12	-16 1	36

I8J9

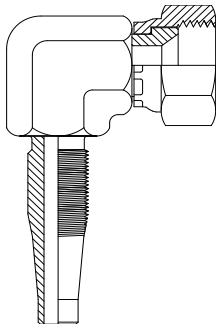
JIC FEMALE 90° SWEPT BEND F/A



Item No	A-JIC	B-HOSE	H1
I8J9-0704	-07 7/16-20	-04 1/4	14
I8J9-0804	-08 1/2-20	-04 1/4	14
I8J9-0904	-09 9/16-18	-04 1/4	14
I8J9-0906	-09 9/16-18	-06 3/8	17
I8J9-1206	-12 3/4-16	-06 3/8	19
I8J9-1208	-12 3/4-16	-08 1/2	22
I8J9-1408	-14 7/8-14	-08 1/2	22
I8J9-1712	-17 1.1/16-12	-12 3/4	27
I8J9-2112	-21 1.5/16-12	-12 3/4	36
I8J9-2116	-21 1.5/16-12	-16 1	36

I8J9C

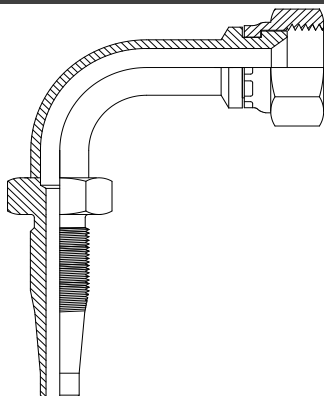
JIC FEMALE 90° COMPACT ELBOW F/A



Item No	A-JIC	B-HOSE	H1
I8J9C-0704	-07 7/16-20	-04 1/4	24
I8J9C-0804	-08 1/2-20	-04 1/4	
I8J9C-0904	-09 9/16-18	-04 1/4	25
I8J9C-0906	-09 9/16-18	-06 3/8	26
I8J9C-1206	-12 3/4-16	-06 3/8	31
I8J9C-1208	-12 3/4-16	-08 1/2	32
I8J9C-1408	-14 7/8-14	-08 1/2	32
I8J9C-1712	-17 1.1/16-12	-12 3/4	33
I8J9C-2116	-21 1.5/16-12	-16 1	33

I8J9L

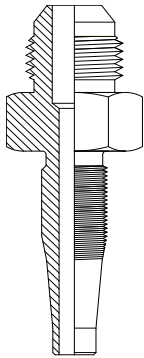
JIC FEMALE 90° BEND LONG DROP F/A



Item No	A-JIC	B-HOSE	H1
I8J9L-0904	-09 9/16-18	-04 1/4	14
I8J9L-0906	-09 9/16-18	-06 3/8	17
I8J9L-1206	-12 3/4-16	-06 3/8	
I8J9L-1208	-12 3/4-16	-08 1/2	22

I8JM

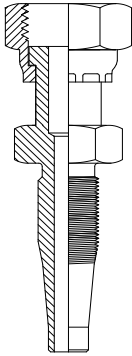
JIC MALE



Item No	A-JIC	B-HOSE	H1
I8JM-0704	-07 7/16-20	-04 1/4	14
I8JM-0804		-04 1/4	
I8JM-0904	-09 9/16-18	-04 1/4	17
I8JM-0906	-09 9/16-18	-06 3/8	17
I8JM-1206	-12 3/4-16	-06 3/8	22
I8JM-1208	-12 3/4-16	-08 1/2	22
I8JM-1408	-14 7/8-14	-08 1/2	24
I8JM-1712	-17 1.1/16-12	-12 3/4	30
I8JM-2112	-21 1.5/16-12	-12 3/4	36
I8JM-2116	-21 1.5/16-12	-16 1	36

I8F

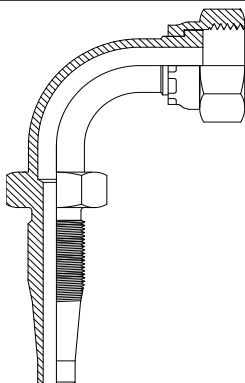
ORFS FEMALE



Item No	A-ORFS	B-HOSE	H1
I8F-0904	-09 9/16-20	-04 1/4	17
I8F-1106	-11 11/16-28	-06 3/8	19
I8F-1308	-13 13/16-16	-08 1/2	22
I8F-1912			

I8F9

ORFS FEMALE 90° SWEEP BEND

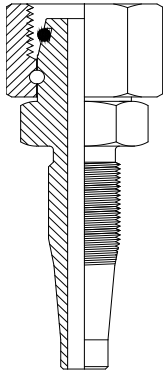


Item No	A-ORFS	B-HOSE	H1
I8F9-0904	-09 9/16-18	-04 1/4	14
I8F9-1106	-11 11/16-18	-06 3/8	19
I8F9-1308	-13 13/16-18	-08 1/2	22

I8C

METRIC DKL FEMALE

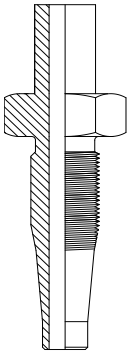
Item No	A-DKL	B-HOSE	L
I8C-1604	-16mm *1.5	-06 3/8	68.9



I8IS

METRIC STANDPIPE

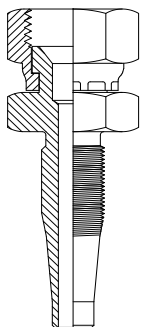
Item No	A-TUBE	B-HOSE	H1
I8IS-1006	10mm	-06 3/8	



I8S

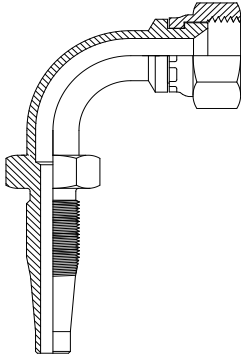
JIS (BSP) FEMALE

Item No	A-UN	B-HOSE	L
I8S-0606		-06 3/8	22



I8S9

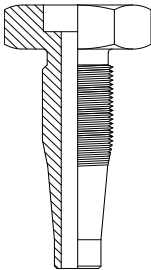
JIS (BSP) FEMALE 90° BEND



Item No	A-	B-HOSE	H1
I8S9-0606			

I8W

WELD ON

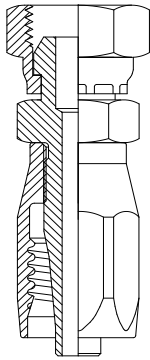


Item No	A-	B-HOSE	H1
I8W-0404		-04 1/4	
I8W-0606		-06 3/8	
I8W-0808		-08 1/2	
I8W-1212		-12 3/4	
I8W-1616		-16 1	

R5 HOSE FITTINGS

H5B

R5 BSPP FEMALE

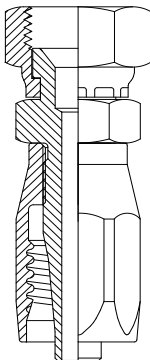


Item No	A-BSPP	B-HOSE	H1
---------	--------	--------	----

- H5B-0404
- H5B-0606
- H5B-0808
- H5B-1212
- H5B-1616

H5J

R5 JIC FEMALE

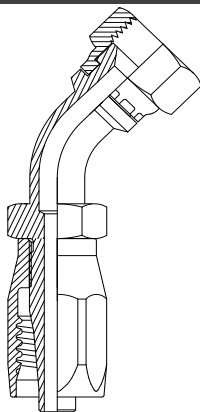


Item No	A-JIC	B-HOSE	H1
---------	-------	--------	----

- H5J-0704
- H5J-0805
- H5J-0906
- H5J-1208
- H5J-1210
- H5J-1410
- H5J-1708
- H5J-1712
- H5J-2116

H5J4

R5 JIC FEMALE 45° BEND

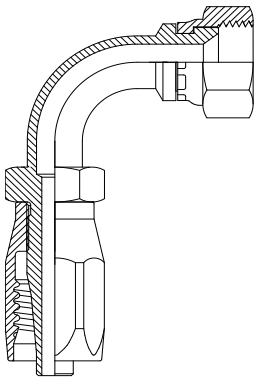


Item No	A-JIC	B-HOSE	H1
---------	-------	--------	----

- H5J4-0704
- H5J4-0906
- H5J4-1208
- H5J4-1410
- H5J4-1712
- H5J4-2116

H5J9

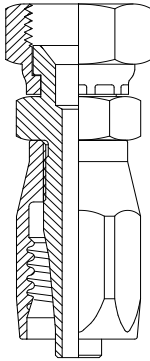
R5 JIC FEMALE 90° BEND



Item No	A-JIC	B-HOSE	H1
H5J9-0704			
H5J9-0906			
H5J9-1208			
H5J9-1210			
H5J9-1410			
H5J9-1712			
H5J9-2116			

H5P

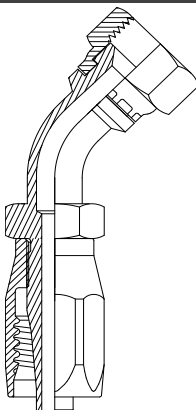
R5 SAE FEMALE (45° SEAT)



Item No	A-JIC	B-HOSE	H1
H5P-1006			
H5P-1712			

H5P4

R5 SAE FEMALE (45° SEAT) 45° BEND



Item No	A-JIC	B-HOSE	H1
H5P4-1006			

H5P9

R5 SAE FEMALE (45° SEAT) 90° BEND

Item No	A-JIC	B-HOSE	H1
---------	-------	--------	----

H5P9-1006

